



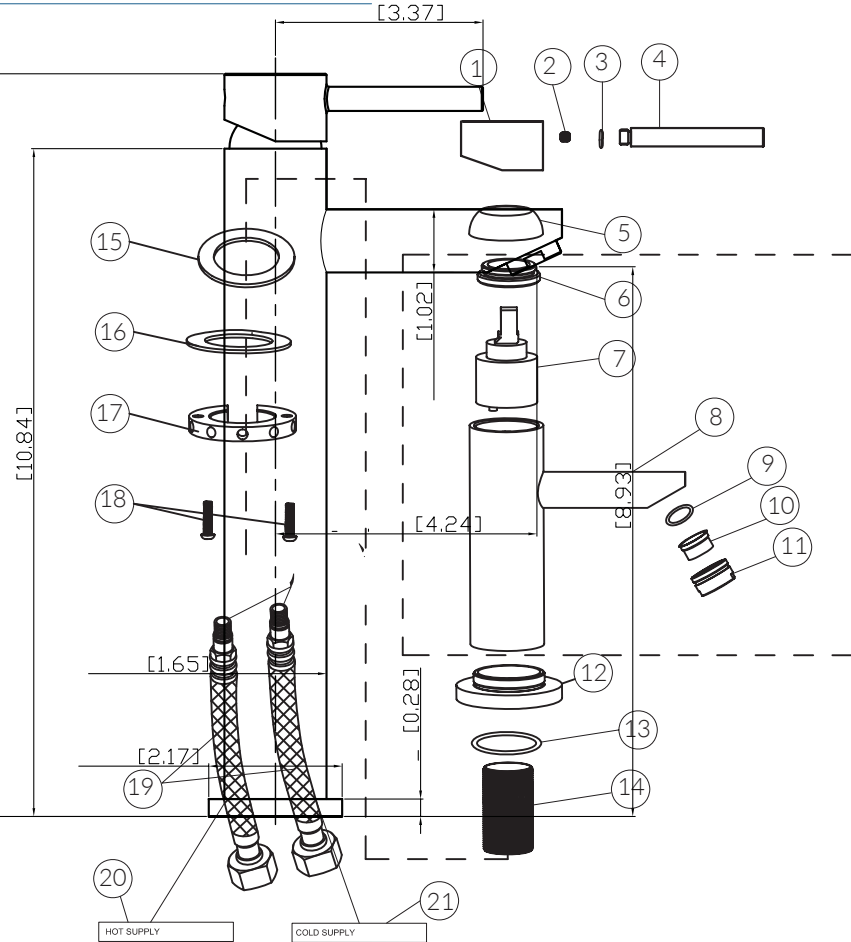
BATHROOM FAUCET

**LB10B**

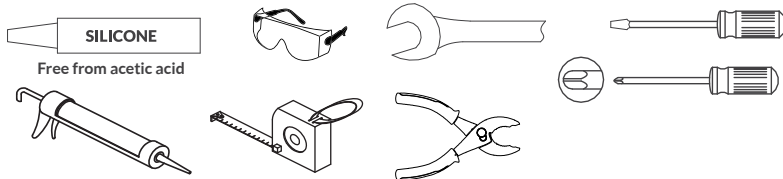
INSTALLATION INSTRUCTIONS

PACKING LIST

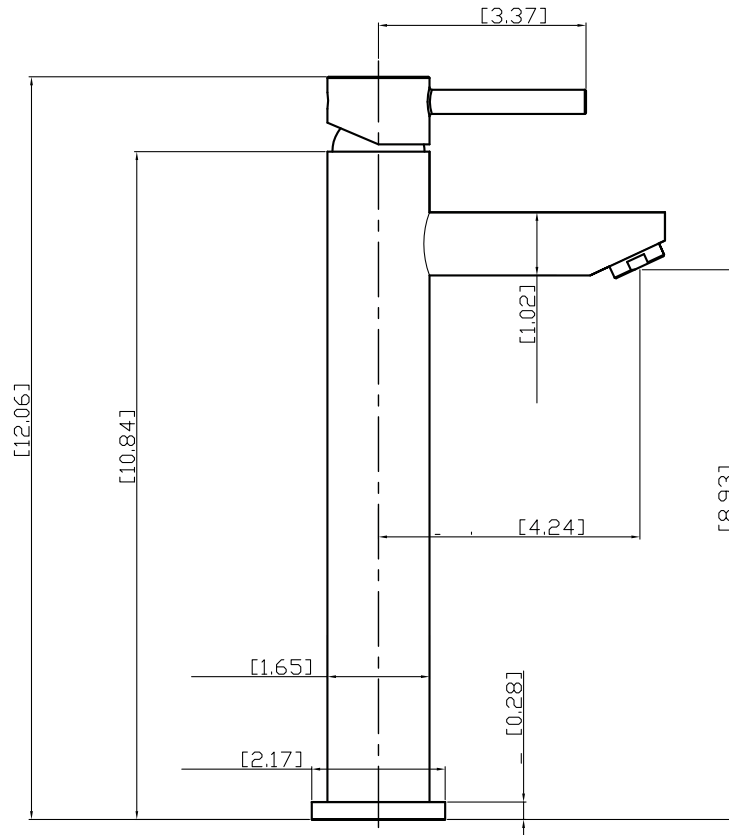
No.	Component Description
1	Handle Base
2	Screw
3	O-ring
4	Handle Arm
5	Dome Nut
6	Adjustment Ring
7	Cartridge
8	Spout
9	Gasket
10	Aerator Coer
11	Aerator Cover
12	Base Ring
13	O-ring
14	Shank
15	Rubber Gasket
16	Metal Gasket
17	Fixing Nut
18	Screw
19	3/8" Compression
20	Hot supply
21	Cold supply



TOOLS REQUIRED FOR INSTALLATION (NOT INCLUDED)



**Note:** Other tools may be required



**ATTENTION!** Dimensions may vary by up to 3/8". It is highly recommended to pull all dimensions of actual model for installation and measuring purposes.

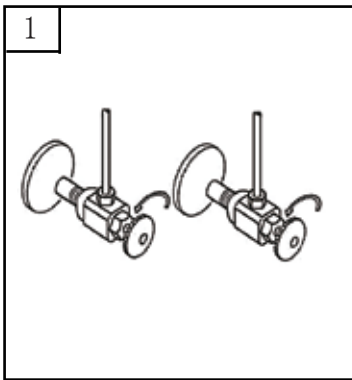
**ATTENTION!** The measurements in inches are rounded to the nearest 1/8"

## TECHNICAL DATA

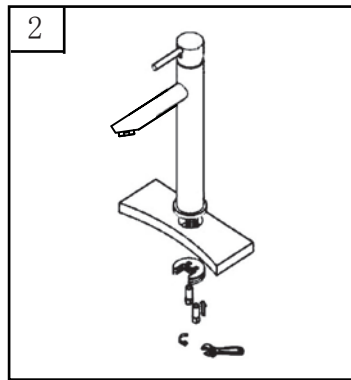
Max Flow Rate 2.0 GPM at 60 PSI

INSTALLATION INSTRUCTIONS

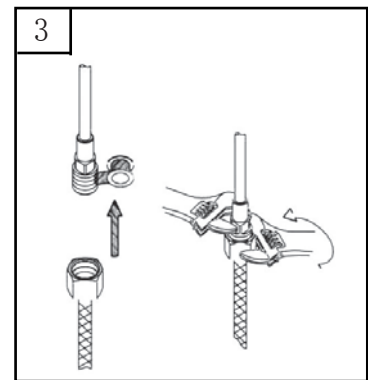
**Maintenance** Your new faucet is designed for trouble-free performance. Keep it looking new by cleaning it periodically with a soft cloth. Avoid abrasive cleaners, steel wool and harsh chemicals as these will dull the finish and void your warranty.



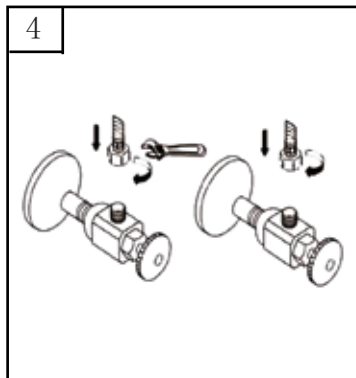
1. Shut off water supply. Remove old faucet. Clean sink surface in preparation for new faucet.



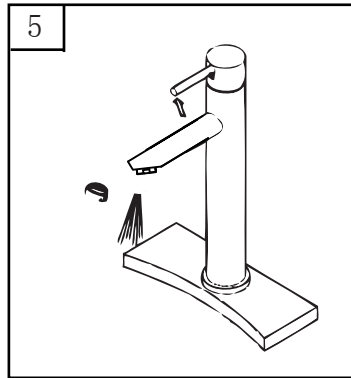
2. Screw cold/hot copper tube onto faucet body.



3. Attach rubber washer and metal washer onto copper tubes. Screw metal threaded rods onto faucet body.



4. Tighten end of shank with wrench and slip hose onto inlet port.



5. After installing faucet, remove aerator and turn on water to remove any left over debris. Re-assemble aerator.



## READ ALL INSTRUCTIONS BEFORE UNPACKING THE PRODUCT

INSTRUCTIONS THAT, IF IGNORED COULD RESULT IN DEATH OR SERIOUS INJURY CAUSED BY INCORRECT HANDLING OR INSTALLATION OF THE PRODUCT. THESE INSTRUCTIONS MUST BE OBSERVED FOR SAFE INSTALLATION.



INSTALLATION OF LESSCARE PRODUCTS BY AN  
INEXPERIENCED INSTALLER MAY RESULT  
PERSONAL INJURY OR DEATH!



LessCare reserves the right to change, update, modify, alter, redesign this manual/product or its policies without prior notice!  
It is your responsibility to visit website to download or contact customer service for the most updated version of the installation instructions.

LessCare shall not be liable for any injuries or property damages in connection with this product during installation or use of this product!

LessCare products must be installed by a fully insured and licensed plumber only. Installation of any LessCare product by anyone other than fully insured and licensed plumber shall void limited warranty. LessCare recommends that such licensed plumber have experience in the installation of products.

Limited warranty is void on any commercial installation

LessCare is not responsible for local code compliance for this product. Building and plumbing codes may vary from state-to-state in accordance to your location. LessCare is not responsible for providing any compliance certifications.

LessCare is not responsible to provide any type of certifications for this product

Under no circumstances LessCare shall not be liable for any and all incidental damages sustained in connection with this product

Neither manufacture, nor distributor, nor retailer is responsible for water damage or flood caused due to use of this product.

Under no circumstances LessCare shall not be liable for any and all fees, cost of installation/reinstallation/removal, subsequent damage or transportation in case of the product defect

## Maintenance & Care

### IMPORTANT!

**DO NOT USE:** Abrasive cleaners such as: acid, ammonia, bleach, and similar solutions. Use of such solutions may cause corrosion, finish peeling, and/or dull the surface.

**DO NOT USE:** Abrasive sponges or cloth. Never use steel, wool, or wired brushes that will permanently scratch the surface.

Retain these installation instructions for future reference!



Thank you for using LessCare products!