

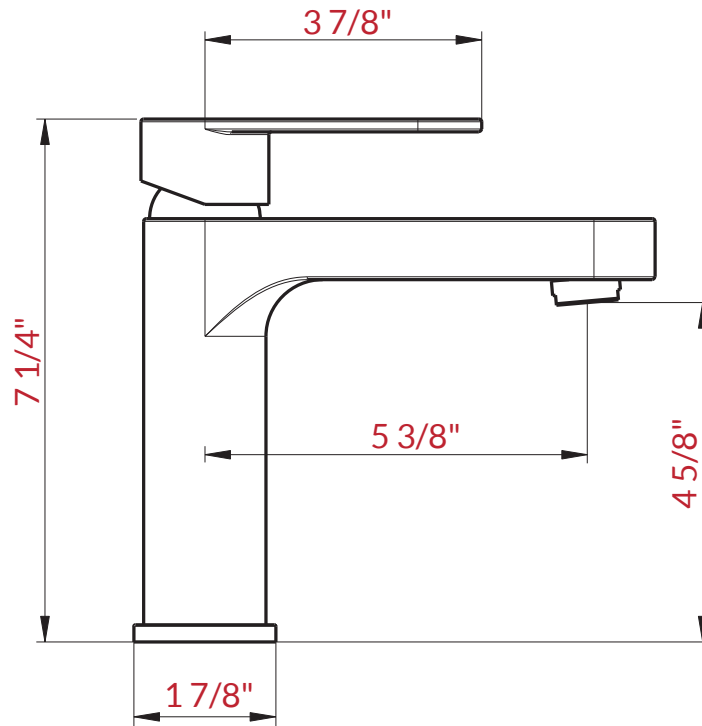


BATHROOM/BAR FAUCET

Model: **LB15B**

## INSTALLATION INSTRUCTIONS

PREPARATION FOR INSTALLATION



**ATTENTION!** Dimensions may vary by up to  $\frac{3}{8}$ ". It is highly recommended to pull all dimensions of actual model for installation and measuring purposes.

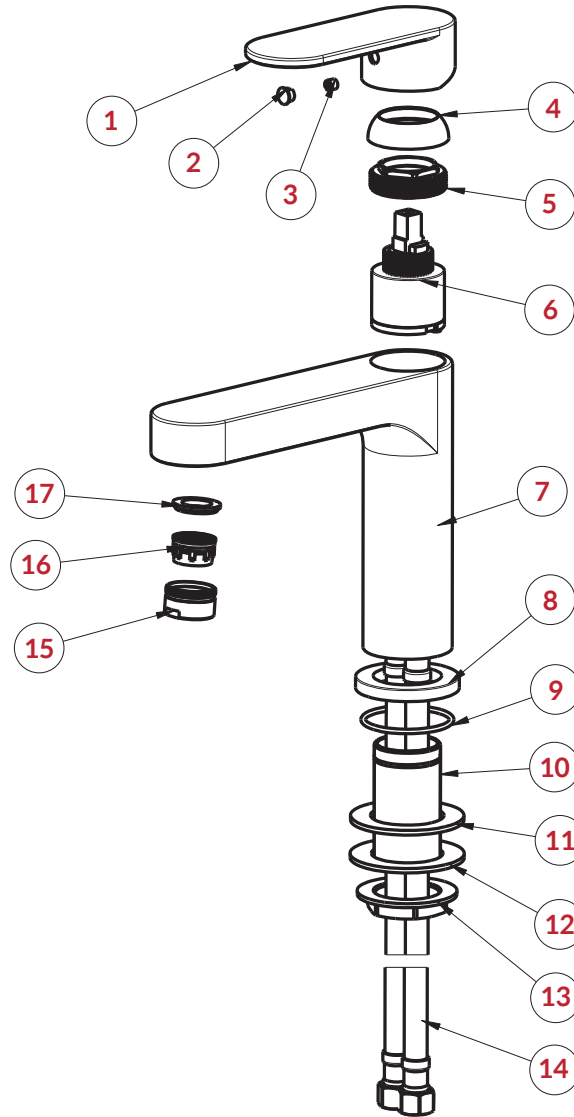
**ATTENTION!** Measurements in inches are rounded to the nearest  $\frac{1}{8}$ ".

## TECHNICAL DATA

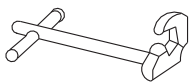
Max flow rate 1.2 GMP at 60 PSI

PARTS & COMPONENTS

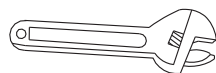
No	Component
1	Handle
2	Canopy
3	Screw
4	Cap
5	Press Hat
6	Cartridge
7	Body
8	Base
9	O-Ring
10	Screwed Connector
11	Shim
12	Shim
13	Lock Nut
14	Flexible Hose
15	Aerator House
16	Aerator
17	Shim



TOOLS REQUIRED FOR INSTALLATION



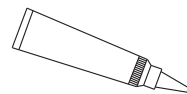
Basin Wrench



Adjustable Wrench



Teflon Tape



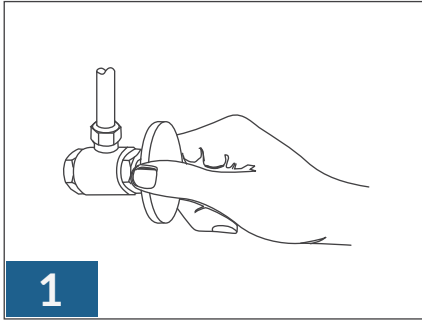
Silicone Sealant



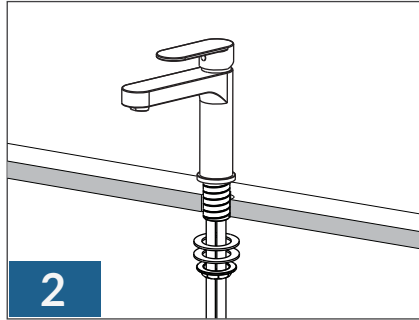
Screwdriver

OTHER TOOLS MAY BE REQUIRED

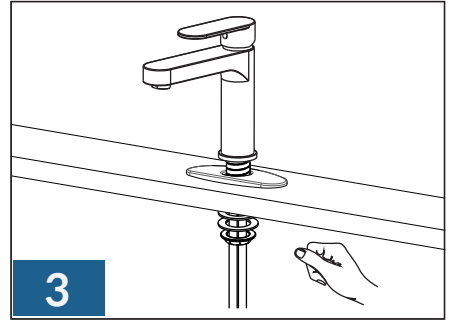
INSTALLATION INSTRUCTIONS



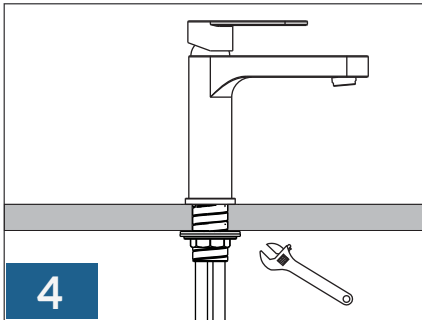
**1**  
You should clean all the dirt from valve outlets. Turning off the water supply valves. This is usually found near the water meter. If you are replacing an existing faucet, remove the faucet from the sink and clean the sink surface thoroughly.



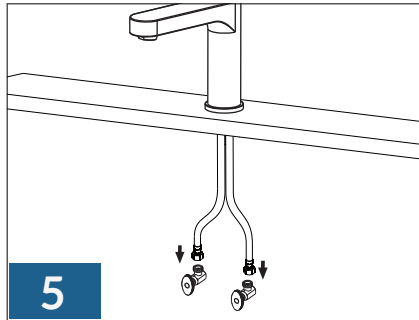
**2**  
Install without Deck Plate. Make sure the O-RING is placed onto the bottom of Base Ring. Install faucet through hole in sink. From underside sink, Put Plastic Washer and Mounting Nut. Position faucet on sink properly and tighten Mounting Nut.



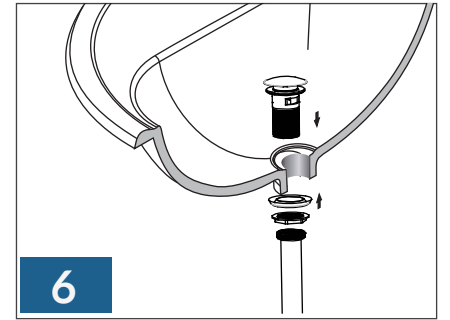
**3**  
Make sure the O-RING is placed onto the bottom of Base Ring. Install faucet through Deck Plate. From underside sink, Put Plastic Washer and Mounting Nut. Position faucet on sink properly and tighten Mounting Nut.



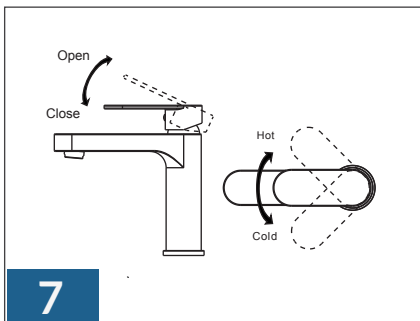
**4**  
If necessary, tighten screws using an adjustable wrench until the faucet is firmly connected to the sink.



**5**  
Connect hot and cold water supply lines to the water Supply Valves



**6**  
As shown. Insert Flange with Washer through Sink drain Hole. From underside, thread Drain Body into Flange. Holding the drain body in position with Ball Rod Opening facing back, tighten Metal Locknut securely. Thread Drain Tailpiece into Drain body.



**7**  
Lift the handle up, the cartridge will be activated allowing water to flow. The water flow will increase by continuing to rotate handle. By rotating the handle to the right, the water temperature will decrease to cold flow only. By rotating handle to the left, the water temperature will increase to hot only.



**8**  
After installation is complete, remove Spray head and rotate handle to the close position. Turn Water Supply Valves on, and check all connections for leak. Flush faucet by running hot and cold water in full position for one minute. Re tighten the Spray Head.



## READ ALL INSTRUCTIONS BEFORE UNPACKING THE PRODUCT

INSTRUCTIONS THAT, IF IGNORED COULD RESULT IN DEATH OR SERIOUS INJURY CAUSED BY INCORRECT HANDLING OR INSTALLATION OF THE PRODUCT. THESE INSTRUCTIONS MUST BE OBSERVED FOR SAFE INSTALLATION.



INSTALLATION OF LESSCARE PRODUCTS BY AN  
INEXPERIENCED INSTALLER MAY RESULT  
PERSONAL INJURY OR DEATH!



LessCare reserves the right to change, update, modify, alter, redesign this manual/product or its policies without prior notice!  
It is your responsibility to visit website to download or contact customer service for the most updated version of the installation instructions.

LessCare shall not be liable for any injuries or property damages in connection with this product during installation or use of this product!

LessCare products must be installed by a fully insured and licensed plumber only. Installation of any LessCare product by anyone other than fully insured and licensed plumber shall void limited warranty. LessCare recommends that such licensed plumber have experience in the installation of products.

Limited warranty is void on any commercial installation

LessCare is not responsible for local code compliance for this product. Building and plumbing codes may vary from state-to-state in accordance to your location. LessCare is not responsible for providing any compliance certifications.

LessCare is not responsible to provide any type of certifications for this product

Under no circumstances LessCare shall not be liable for any and all incidental damages sustained in connection with this product

Neither manufacture, nor distributor, nor retailer is responsible for water damage or flood caused due to use of this product.

Under no circumstances LessCare shall not be liable for any and all fees, cost of installation/reinstallation/removal, subsequent damage or transportation in case of the product defect

## Maintenance & Care

### IMPORTANT!

**DO NOT USE:** Abrasive cleaners such as: acid, ammonia, bleach, and similar solutions. Use of such solutions may cause corrosion, finish peeling, and/or dull the surface.

**DO NOT USE:** Abrasive sponges or cloth. Never use steel, wool, or wired brushes that will permanently scratch the surface.

Retain these installation instructions for future reference!



Thank you for using LessCare products!