



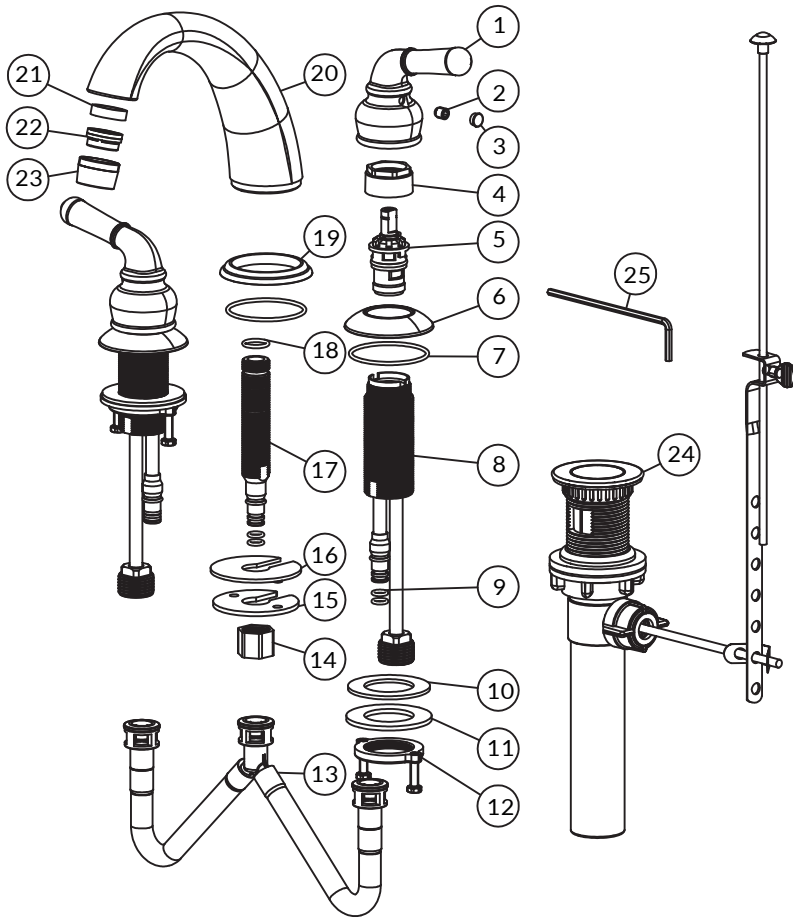
LAVATORY FAUCET

**LB4B**

INSTALLATION INSTRUCTIONS

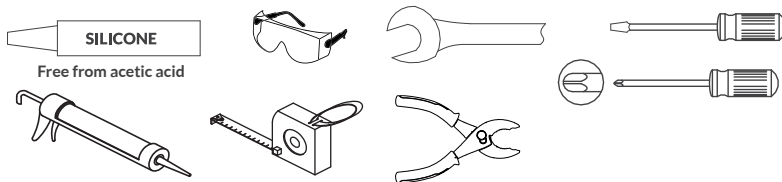
WHAT'S IN THE BOX / REQUIRED TOOLS

PACKING LIST



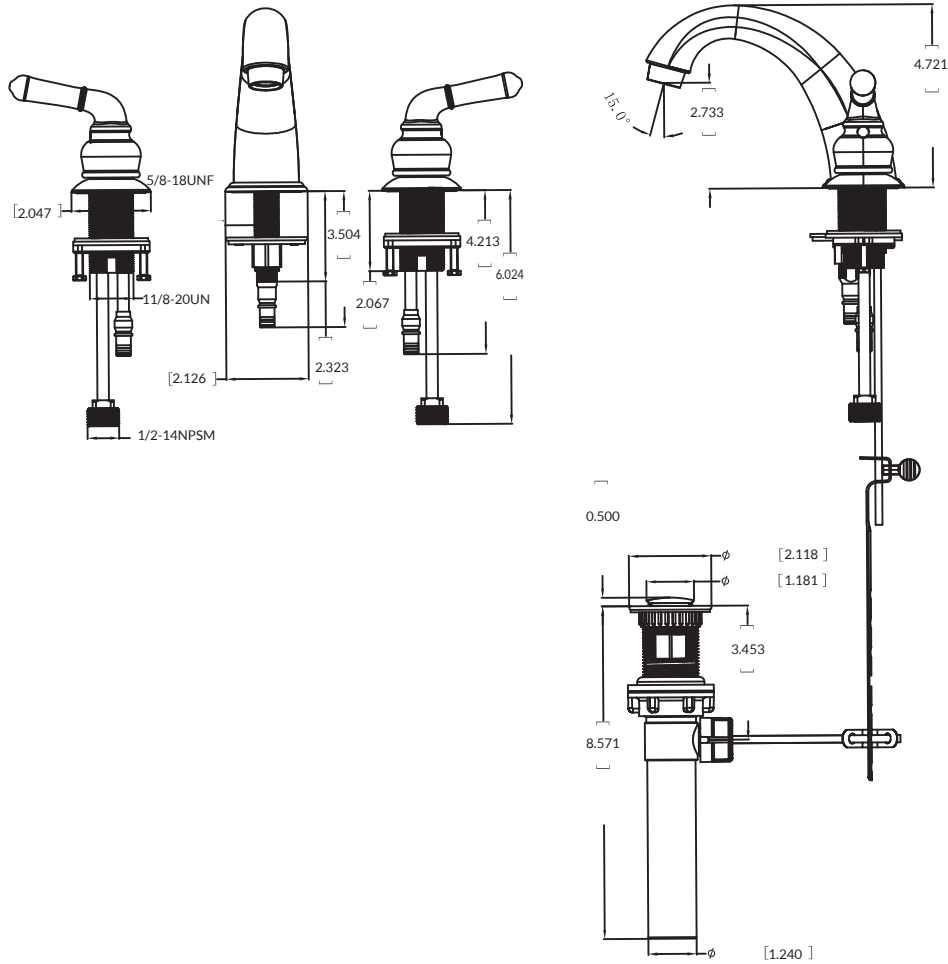
No.	Component Description
1	Handle
2	Screw
3	Index Button
4	Fixing Nut
5	Cartridge
6	Gasket
7	O-ring
8	Sleeve
9	O-ring
10	Gasket
11	Gasket
12	Fixing Nut
13	Connection Hose
14	Brass Nut
15	C-chip
16	C-chip
17	Shank
18	O-ring
19	Ajstment O-ring
20	Spout
21	Aerator Gasket
22	Aerator
23	Aerator Cover
24	Pop-up
25	Wrench

TOOLS REQUIRED FOR INSTALLATION (NOT INCLUDED)



**Note:** Other tools may be required

DIMENSIONS/TECHNICAL DATA



**ATTENTION!** Dimensions may vary by up to 3/8". It is highly recommended to pull all dimensions of actual model for installation and measuring purposes.

**ATTENTION!** The measurements in inches are rounded to the nearest 1/8"

TECHNICAL DATA

Max Flow Rate 2.0 GPM at 60 PSI

**READ ALL INSTRUCTIONS BEFORE UNPACKING THE PRODUCT**

INSTRUCTIONS THAT, IF IGNORED COULD RESULT IN DEATH OR SERIOUS INJURY CAUSED BY INCORRECT HANDLING OR INSTALLATION OF THE PRODUCT. THESE INSTRUCTIONS MUST BE OBSERVED FOR SAFE INSTALLATION.



**INSTALLATION OF LESSCARE PRODUCTS BY AN  
INEXPERIENCED INSTALLER MAY RESULT  
PERSONAL INJURY OR DEATH!**



LessCare reserves the right to change, update, modify, alter, redesign this manual/product or its policies without prior notice! It is your responsibility to visit website to download or contact customer service for the most updated version of the installation instructions.

LessCare shall not be liable for any injuries or property damages in connection with this product during installation or use of this product!

LessCare products must be installed by a fully insured and licensed plumber only. Installation of any LessCare product by anyone other than fully insured and licensed plumber shall void limited warranty. LessCare recommends that such licensed plumber have experience in the installation of products.

Limited warranty is void on any commercial installation

LessCare is not responsible for local code compliance for this product. Building and plumbing codes may vary from state-to-state in accordance to your location. LessCare is not responsible for providing any compliance certifications.

LessCare is not responsible to provide any type of certifications for this product

Under no circumstances LessCare shall not be liable for any and all incidental damages sustained in connection with this product

Neither manufacture, nor distributor, nor retailer is responsible for water damage or flood caused due to use of this product.

Under no circumstances LessCare shall not be liable for any and all fees, cost of installation/reinstallation/removal, subsequent damage or transportation in case of the product defect

## Maintenance & Care

### IMPORTANT!

**DO NOT USE:** Abrasive cleaners such as: acid, ammonia, bleach, and similar solutions. Use of such solutions may cause corrosion, finish peeling, and/or dull the surface.

**DO NOT USE:** Abrasive sponges or cloth. Never use steel, wool, or wired brushes that will permanently scratch the surface.

Retain these installation instructions for future reference!



Thank you for using LessCare products!