



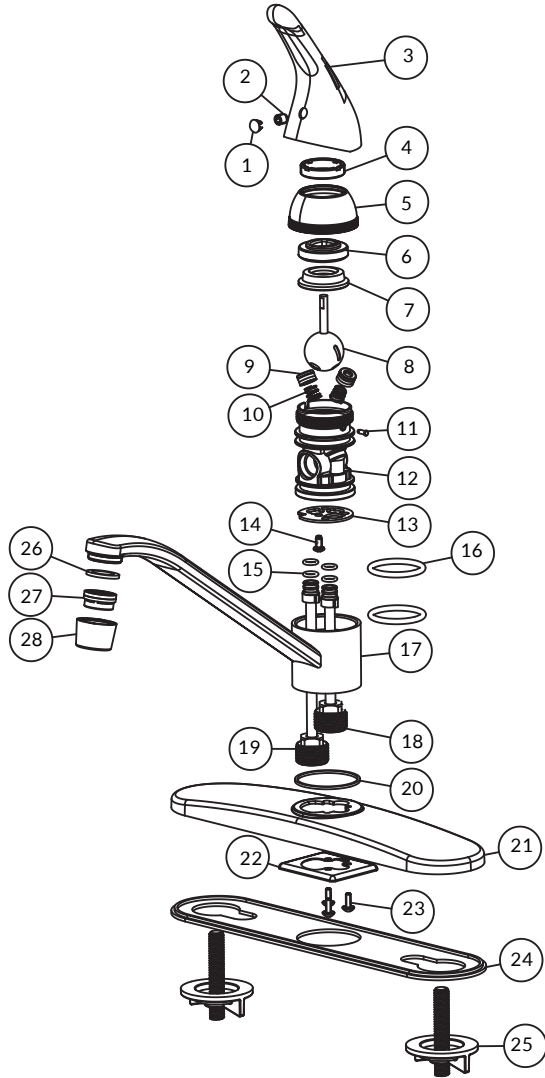
KITCHEN FAUCET

LK2C

INSTALLATION INSTRUCTIONS

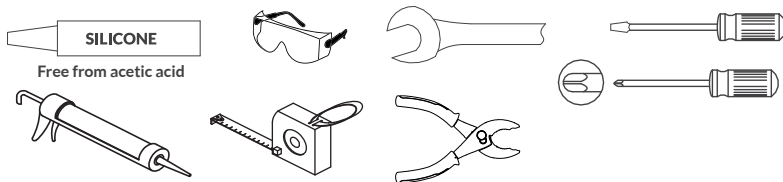
WHAT'S IN THE BOX / REQUIRED TOOLS

PACKING LIST



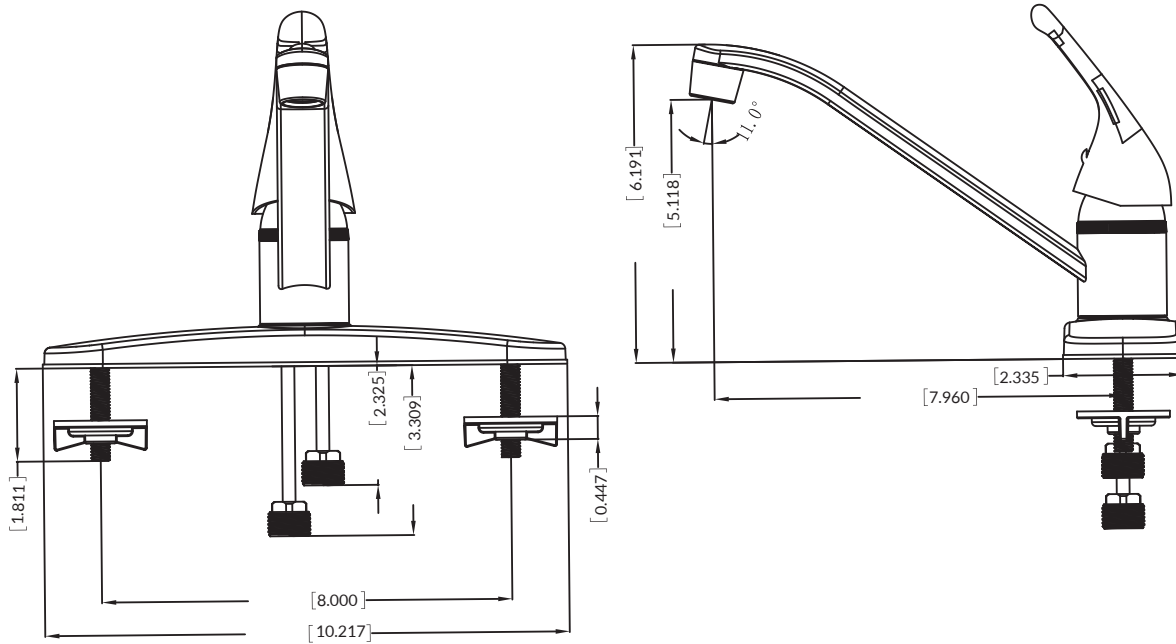
No.	Component Description
1	Index Button
2	Screw
3	Handle
4	Ajustment Ring
5	Dome Nut
6	Fixing Hat
7	Metal Chip
8	SS ball
9	Seat
10	Spring
11	Screw
12	Body
13	Gasket
14	Screw
15	O-ring
16	O-ring
17	Spout
18	Cold supply
19	Hot supply
20	Gasket
21	Cover plate
22	Fixing chip
23	Screw
24	Bottom plate
25	Fixing nut
26	Gasket
27	Aerator
28	Aerator Cover

TOOLS REQUIRED FOR INSTALLATION (NOT INCLUDED)



Note: Other tools may be required

DIMENSIONS/TECHNICAL DATA



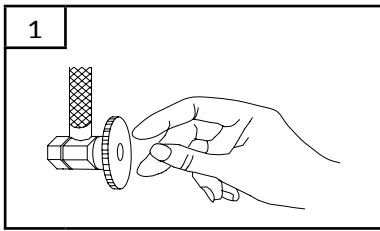
ATTENTION! Dimensions may vary by up to 3/8". It is highly recommended to pull all dimensions of actual model for installation and measuring purposes.

ATTENTION! The measurements in inches are rounded to the nearest 1/8"

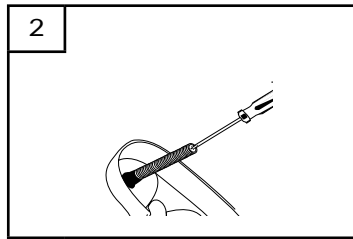
Max Flow Rate 2.0 GPM at 60 PSI

INSTALLATION INSTRUCTIONS

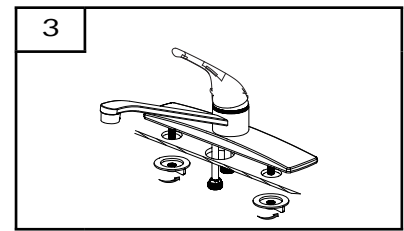
Maintenance Your new faucet is designed for trouble-free performance. Keep it looking new by cleaning it periodically with a soft cloth. Avoid abrasive cleaners, steel wool and harsh chemicals as these will dull the finish and void your warranty.



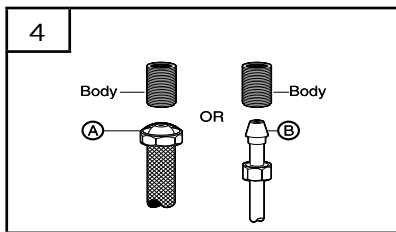
1
Locate water supply inlet and shut off water supply valve. These are usually found under the sink or near the water heater. Remove old faucet. Clean and dry sink surface area where new faucet will be mounted.



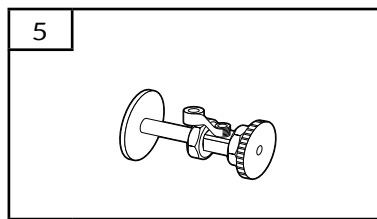
2
Thread on mounting bolts to faucet body.



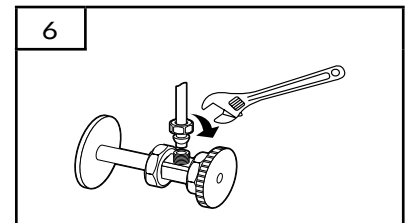
3
Install faucet into sink by feeding all tubes down through center hole. From under sink, thread mounting nuts onto threaded metal rods and tighten nuts. Wipe away excess caulk.



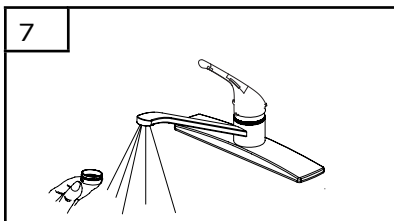
4
Attach water supply tubes using connecting nuts provided. Connect 3/8" O.D. inlet tubes to water supplies with appropriate connections, left tube to hot water supply and right tube to cold water supply. Note A and B have to be purchased separately.



5
Apply joint tape to shut off valve threads



6
Attach supply tube to shut off valve. Do not overtighten.



7
Important: After installation is completed, remove aerator. Turn on water supply and allow both hot and cold water to run for at least one minute. While water is running, check for leaks. Replace aerator. Tighten nut slightly to stop minor leaks.



READ ALL INSTRUCTIONS BEFORE UNPACKING THE PRODUCT

INSTRUCTIONS THAT, IF IGNORED COULD RESULT IN DEATH OR SERIOUS INJURY CAUSED BY INCORRECT HANDLING OR INSTALLATION OF THE PRODUCT. THESE INSTRUCTIONS MUST BE OBSERVED FOR SAFE INSTALLATION.



INSTALLATION OF LESSCARE PRODUCTS BY AN
INEXPERIENCED INSTALLER MAY RESULT
PERSONAL INJURY OR DEATH!



LessCare reserves the right to change, update, modify, alter, redesign this manual/product or its policies without prior notice!
It is your responsibility to visit website to download or contact customer service for the most updated version of the installation instructions.

LessCare shall not be liable for any injuries or property damages in connection with this product during installation or use of this product!

LessCare products must be installed by a fully insured and licensed plumber only. Installation of any LessCare product by anyone other than fully insured and licensed plumber shall void limited warranty. LessCare recommends that such licensed plumber have experience in the installation of products.

Limited warranty is void on any commercial installation

LessCare is not responsible for local code compliance for this product. Building and plumbing codes may vary from state-to-state in accordance to your location. LessCare is not responsible for providing any compliance certifications.

LessCare is not responsible to provide any type of certifications for this product

Under no circumstances LessCare shall not be liable for any and all incidental damages sustained in connection with this product

Neither manufacture, nor distributor, nor retailer is responsible for water damage or flood caused due to use of this product.

Under no circumstances LessCare shall not be liable for any and all fees, cost of installation/reinstallation/removal, subsequent damage or transportation in case of the product defect

Maintenance & Care

IMPORTANT!

DO NOT USE: Abrasive cleaners such as: acid, ammonia, bleach, and similar solutions. Use of such solutions may cause corrosion, finish peeling, and/or dull the surface.

DO NOT USE: Abrasive sponges or cloth. Never use steel, wool, or wired brushes that will permanently scratch the surface.

Retain these installation instructions for future reference!



Thank you for using LessCare products!