



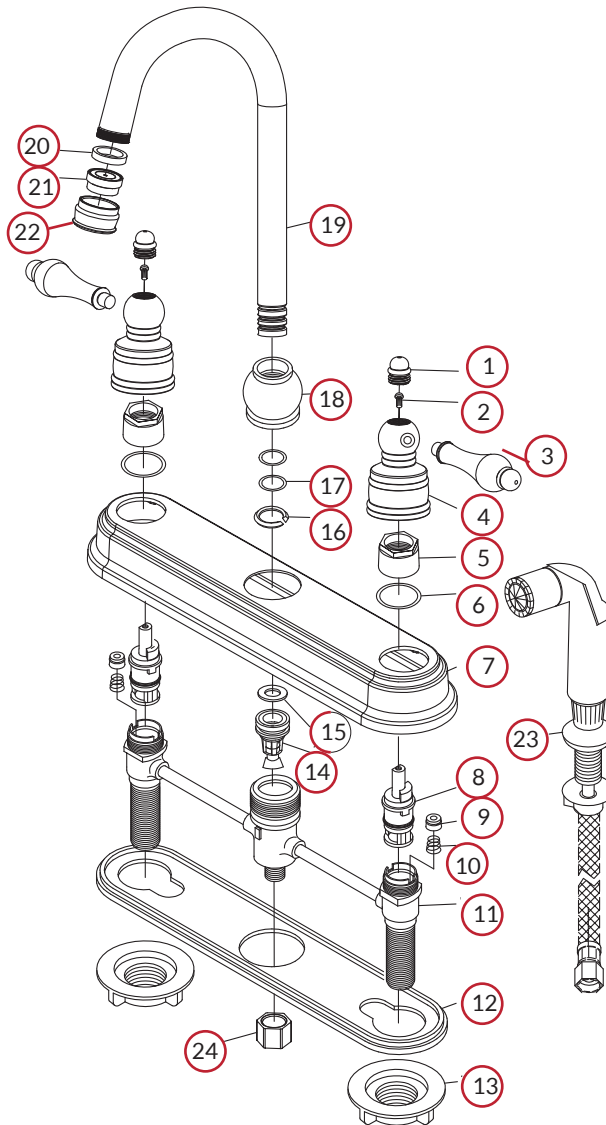
KITCHEN FAUCET WITH SHOWER

LK8B

INSTALLATION INSTRUCTIONS

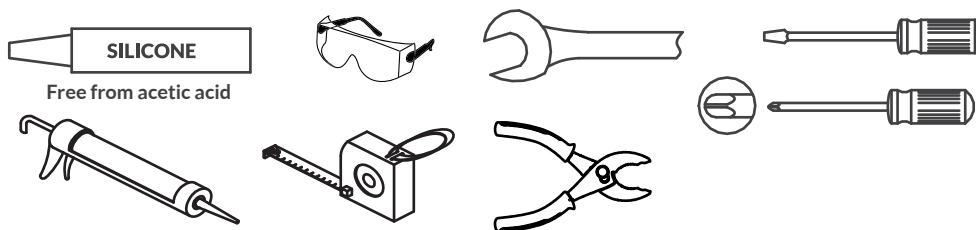
WHAT'S IN THE BOX/TOOLS REQUIRED

PACKING LIST/CONSTRUCTION



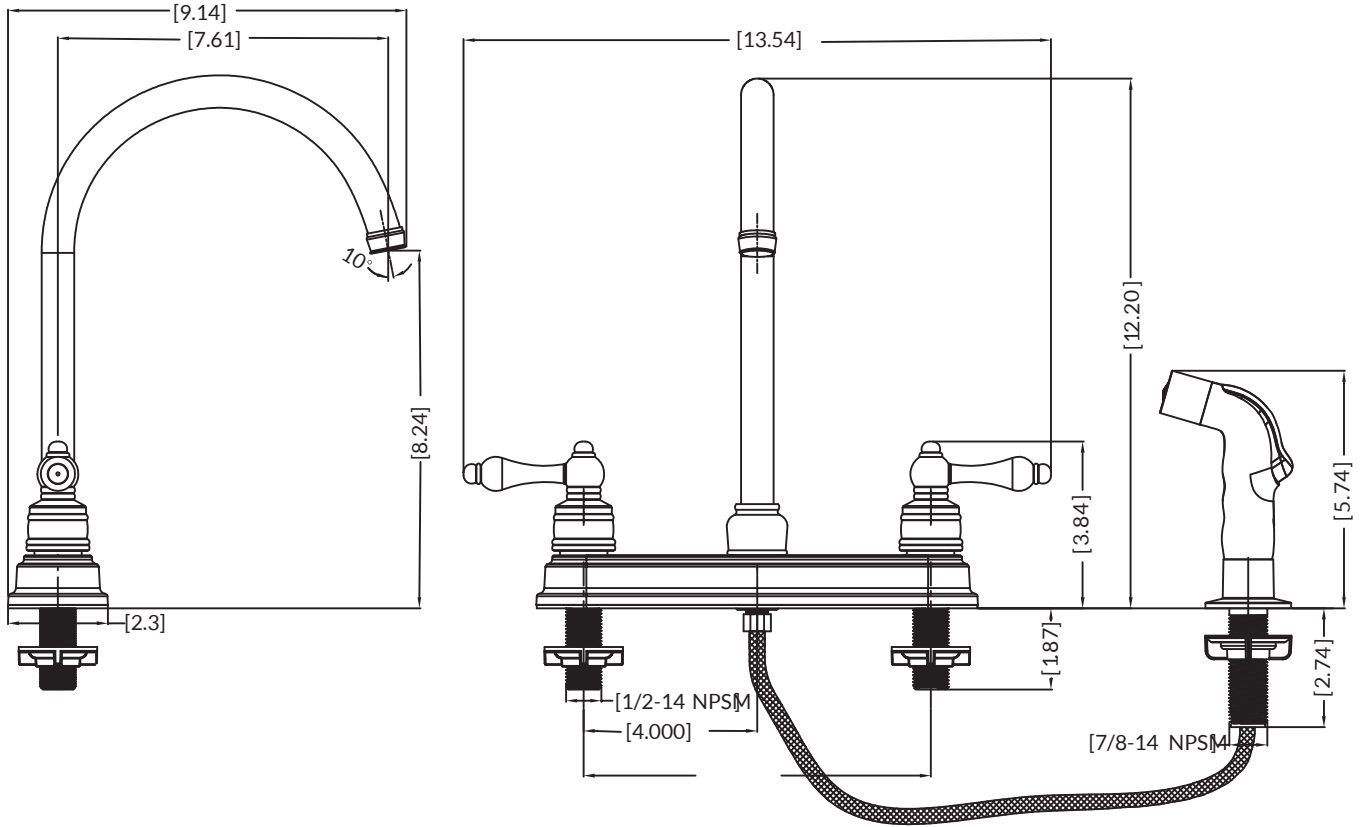
Item#	Description
1	Index Button
2	Screw
3	Handle
4	Handle Base
5	Cartridge Nut
6	O- ring
7	Cover Plate
8	Cartridge
9	Seat
10	Spring
11	Waterway
12	Putty Plate
13	Fixing Nut
14	Diverter
15	Gasket
16	C-clip
17	O-ring
18	Dome Nut
19	Spout
20	Aerator Gasket
21	Aerator
22	Aerator Cover
23	Spray
24	Plug

TOOLS REQUIRED FOR INSTALLATION (NOT INCLUDED)



Note: other tools may be required

DIMENSIONS/TECHNICAL DATA



ATTENTION! Dimensions may vary by up to 3/8". It is highly recommended to pull all dimensions of actual model for installation and measuring purposes.

ATTENTION! The measurements in inches are rounded to the nearest 1/8"

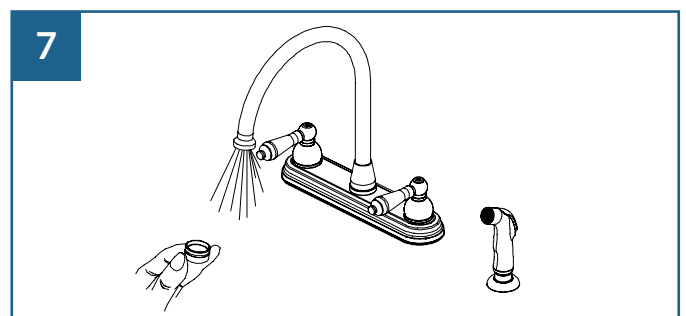
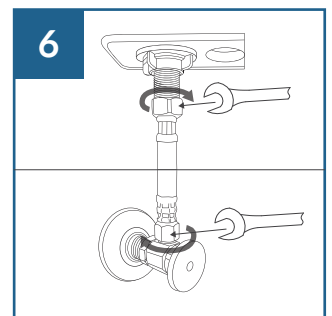
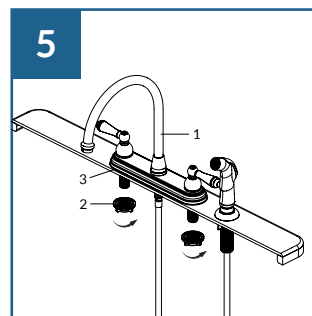
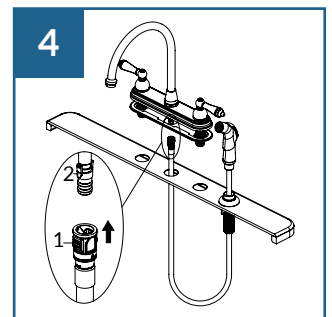
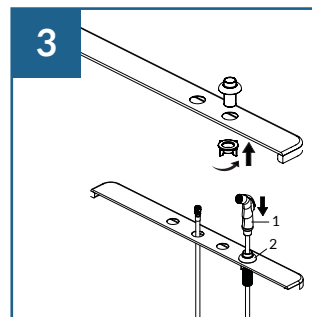
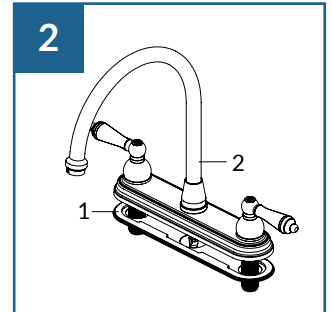
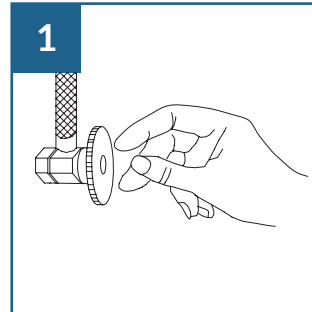
TECHNICAL DATA

Max Flow Rate 2.0 GPM at 60 PSI

INSTALLATION & MAINTENANCE

INSTALLATION

1. Turn off water at the supply valve under the sink or at the main water supply, disconnect the supply line and remove old faucet. Clean and dry surface area where new faucet will be mounted.
2. Place the gasket on the new faucet assembly. If your model has a side sprayer, proceed to step 3. If your model does not have a side sprayer, skip to step 5.
3. Insert sprayer support throughout far right hole on the sink. Screw the nut onto shank from underneath the sink, hand tighten only. Insert the side sprayer hose down through the sprayer support and sink.
4. From the above sink, thread the spray hose clockwise onto the smaller hose shank on the faucet. It is easier to do this before the faucet is installed. Tighten with a wrench but do not over tighten.
5. Place the faucet assembly in position on the sink. Secure the faucet assembly to the sink using the mounting nuts provided. Hand tighten only.
6. Attach one end of the water supply lines onto the faucet shanks, hot water on the left and cold water on the right. (NOTE: If you are installing new water supply lines, please refer to the supply line manufacturer's installation instructions.) Tighten the supply connectors using an adjustable or basin wrench. Apply thread seal tape onto the threads of the water supply shut-off valves in a clockwise motion. Attach the remaining ends of the water supply lines to the hot and cold shut-off valves and tighten with a wrench.
7. **Important:** after installation is completed, remove aerator. Turn on water supply and allow both hot and cold water to run for at least one minute each. While water is running, check for leaks. Replace aerator. Tighten nuts slightly to stop minor leaks. If problems persist, refer to troubleshooting chart.



MAINTENANCE

Your new faucet is designed for trouble-free performance. Keep it looking new by cleaning it periodically with a soft cloth. Avoid abrasive cleaners, steel wool and harsh chemicals as these will dull the finish and void your warranty.



READ ALL INSTRUCTIONS BEFORE UNPACKING THE PRODUCT

INSTRUCTIONS THAT, IF IGNORED COULD RESULT IN DEATH OR SERIOUS INJURY CAUSED BY INCORRECT HANDLING OR INSTALLATION OF THE PRODUCT. THESE INSTRUCTIONS MUST BE OBSERVED FOR SAFE INSTALLATION.



INSTALLATION OF LESSCARE PRODUCTS BY AN
INEXPERIENCED INSTALLER MAY RESULT
PERSONAL INJURY OR DEATH!



LessCare reserves the right to change, update, modify, alter, redesign this manual/product or its policies without prior notice!
It is your responsibility to visit website to download or contact customer service for the most updated version of the installation instructions.

LessCare shall not be liable for any injuries or property damages in connection with this product during installation or use of this product!

LessCare products must be installed by a fully insured and licensed plumber only. Installation of any LessCare product by anyone other than fully insured and licensed plumber shall void limited warranty. LessCare recommends that such licensed plumber have experience in the installation of products.

Limited warranty is void on any commercial installation

LessCare is not responsible for local code compliance for this product. Building and plumbing codes may vary from state-to-state in accordance to your location. LessCare is not responsible for providing any compliance certifications.

LessCare is not responsible to provide any type of certifications for this product

Under no circumstances LessCare shall not be liable for any and all incidental damages sustained in connection with this product

Neither manufacture, nor distributor, nor retailer is responsible for water damage or flood caused due to use of this product.

Under no circumstances LessCare shall not be liable for any and all fees, cost of installation/reinstallation/removal, subsequent damage or transportation in case of the product defect

MAINTENANCE & CARE: IMPORTANT!

DO NOT USE: Abrasive cleaners such as: acid, ammonia, bleach, and similar solutions. Use of such solutions may cause corrosion, finish peeling, and/or dull the surface.

DO NOT USE: Abrasive sponges or cloth. Never use steel, wool, or wired brushes that will permanently scratch the surface.

Long lasting life is guaranteed while maintaining proper care of your product. To prevent a build-up of soap, after each use, rinse the product's surface and wipe it with a soft cloth material. The product must be cleaned with designated cleaning solutions only. The product should be cleaned at least once a week.

LessCare is not responsible for local code compliance. Building and plumbing codes may vary from state-to-state in accordance to your location. LessCare is not responsible for providing any compliance certifications.

LessCare products must be installed by a fully insured and licensed professional only. Installation of any LessCare product by anyone other than fully insured and licensed professionals shall **void limited warranty**. LessCare recommends that such licensed professionals have experience in installation of this type of products. **This limited warranty voids on any commercial installation.**

Retain these installation instructions for future reference!



Thank you for using LessCare products!