



SHOWER PANEL SYSTEM

**LSP2-B**

INSTALLATION INSTRUCTIONS

## WHAT'S IN THE BOX / REQUIRED TOOLS

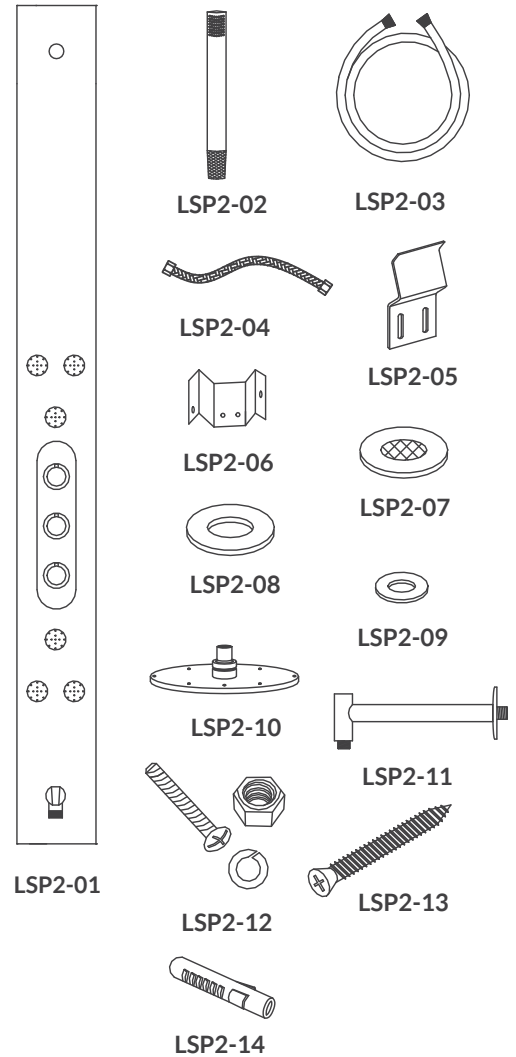
**NOTE!** Shower panel system can be used for wall or corner installation

### PACKING LIST

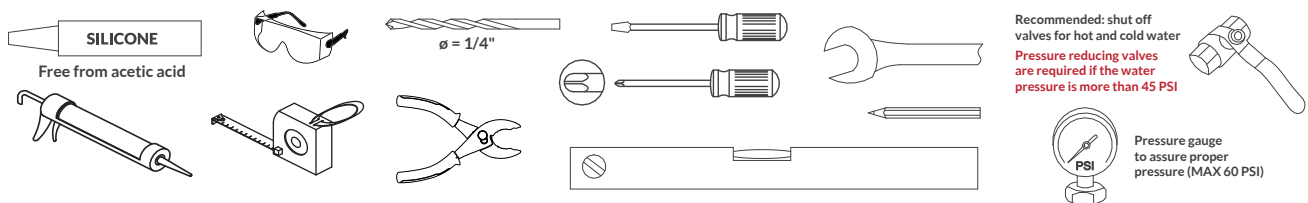
Part Number	Quantity	Description
LSP2-01	1	Panel Housing
LSP2-02	1	Hand shower
LSP2-03	1	Hand shower hose
LSP2-04	2	Flexible hoses 16" long with 1/2" female connection for hot and cold water supply
LSP2-05	3	Wall mounting bracket
LSP2-06	2	Corner mounting bracket
LSP2-07	2	White screen
LSP2-08	2	White washers
LSP2-09	6	Metal washers
LSP2-10	1	Head shower
LSP2-11	1	Shower arm
LSP2-12	4	Corner mount bracket screws, nuts, washers
LSP2-13	6	Wall mount screws
LSP2-14	6	Wall Mount Washers

### MISCELLANEOUS PARTS

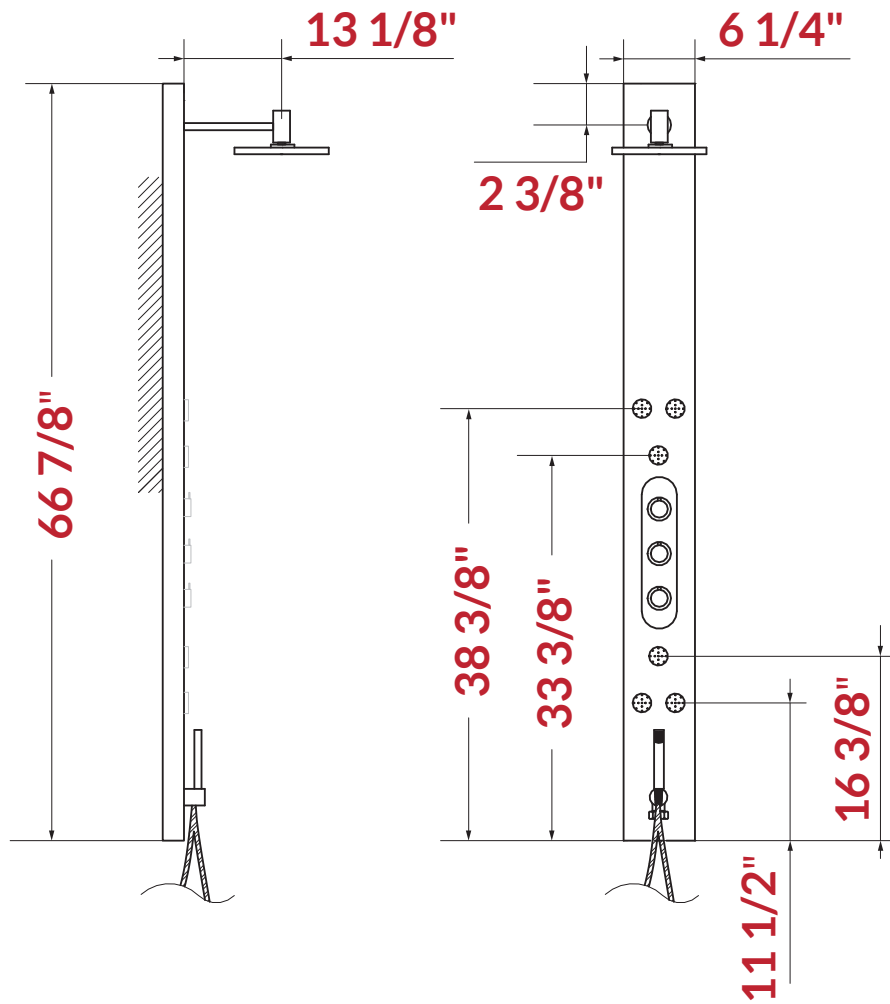
Part Number	Description
LSP2-21	Thermostatic cartridge
LSP2-22	Volume control handle
LSP2-23	Thermostatic control handle
LSP2-24	Volume handle button
LSP2-25	Thermostatic handle button
LSP2-26	Volume cartridge
LSP2-27	Tub filler
LSP2-28	Tub filler cap
LSP2-29	Valve body
LSP2-30	Body jets



### TOOLS REQUIRED FOR INSTALLATION (NOT INCLUDED)



**Note:** Other tools may be required

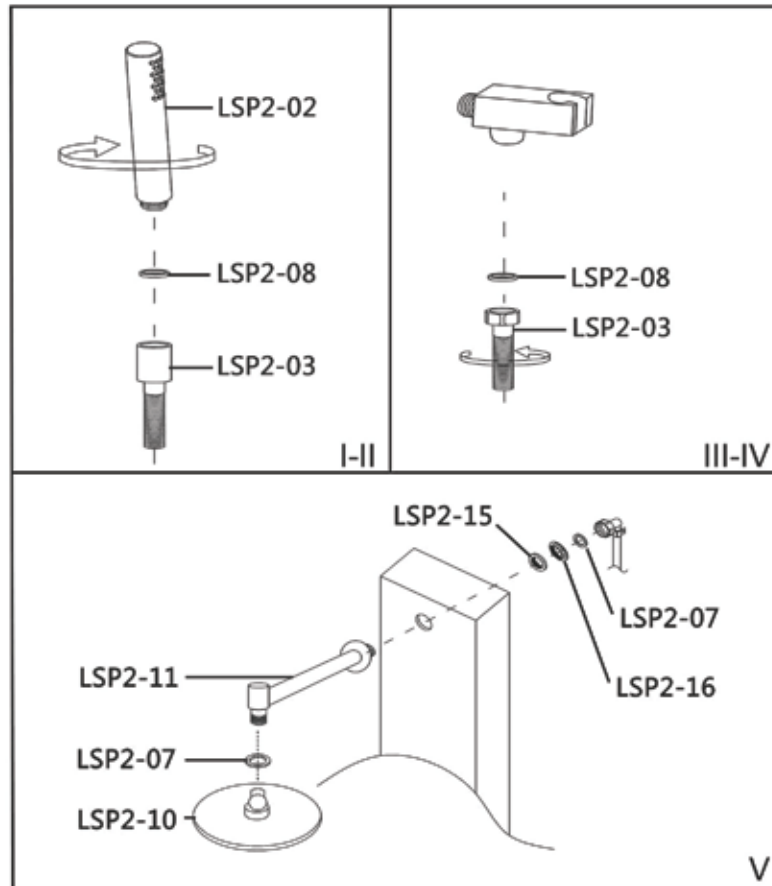
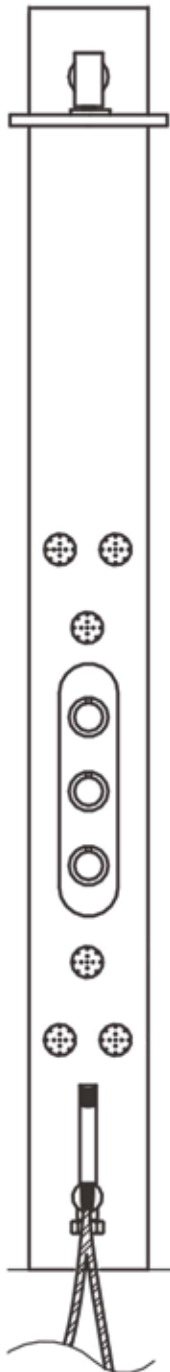


**ATTENTION!** Dimensions may vary by up to 3/8". It is highly recommended to pull all dimensions of actual model for installation and measuring purposes.

**ATTENTION!** The measurements in inches are rounded to the nearest 1/8"

### TECHNICAL DATA

- Minimum flow pressure is 30 PSI
- Maximum operating pressure us 60 PSI
- Maximum hot water temperature: 158°F
- Safety stop: 100°F
- Run all your water pressure to one of functions



I. Put white washer(LSP2-08) between the handshower(LSP2-02) and hand shower hose(LSP2-03).

II. Connect the handshower(LSP2-02) to the hand shower hose (LSP2-03).

III. put the white washer(LSP2-08) between the handshower holder and hand shower hose(LSP2-03).

IV. Connect the hand shower hose(LSP2-03) to the handshower holder.

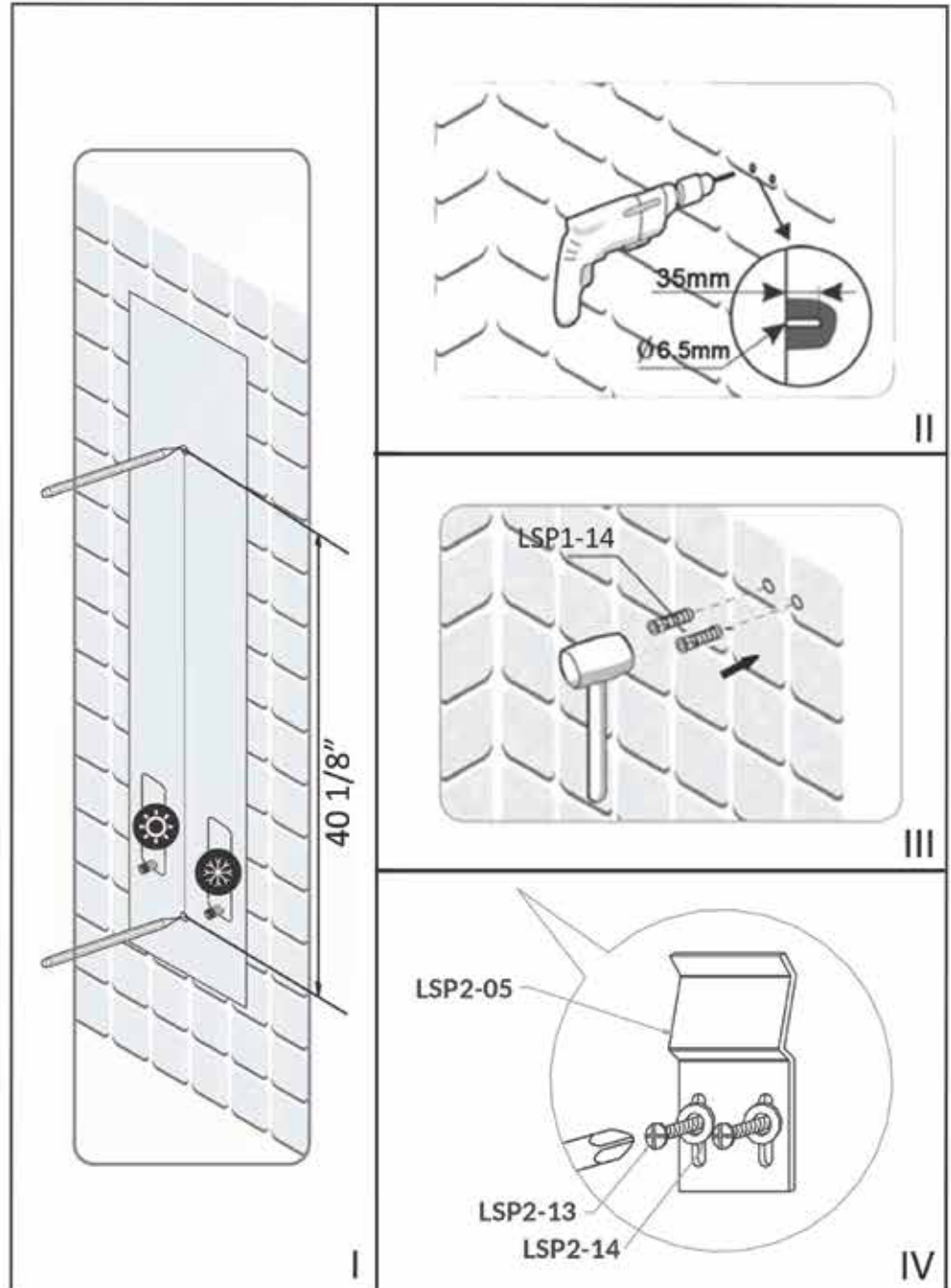
V. Connect the water hose to the shower arm(LSP2-11) with one BLACK washer(LSP2-15), one Yellow screw cap (LSP-16) and one white screen(LSP2-07). Put one white screen(LSP2-07) to the screw-in connector of shower head, Then connect the shower head (LSP2-10) to the shower arm(LSP2-11).

I. Use a pencil to mark drill holes on wall. Keep a distance between the top centre holes of the position and wall mounting brackets(LSP2-05) of 40 1/8".

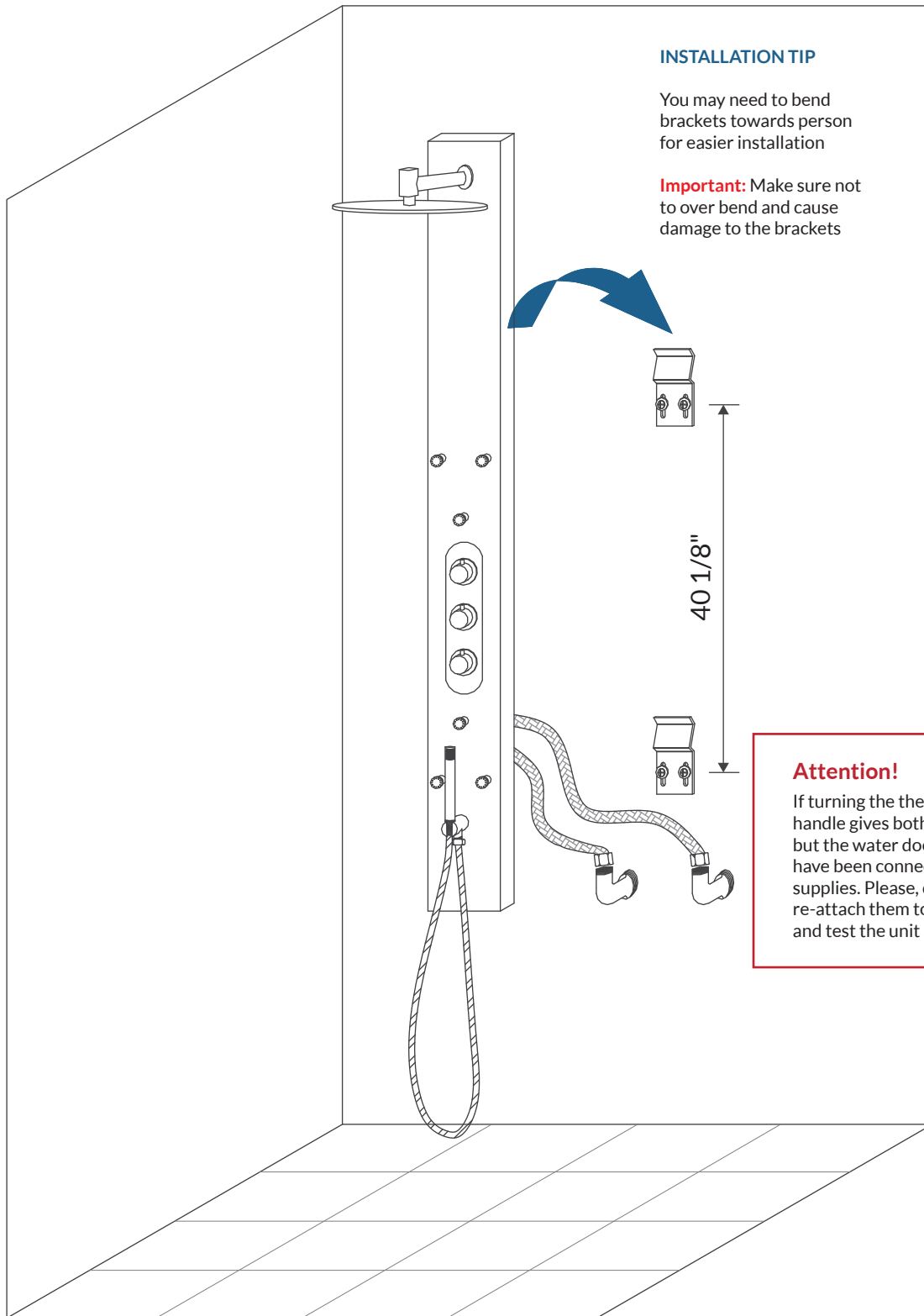
II. Drill holes on the wall.

III. Put four Installation wall plug (LSP2-14) into the holes. Make sure the Installation wall plug(LSP2-05) do not fall out easily.

IV. Fix both wall mounting brackets (LSP2-05) by tightening the screws (LSP2-13).



## WALL INSTALLATION (PART 2)



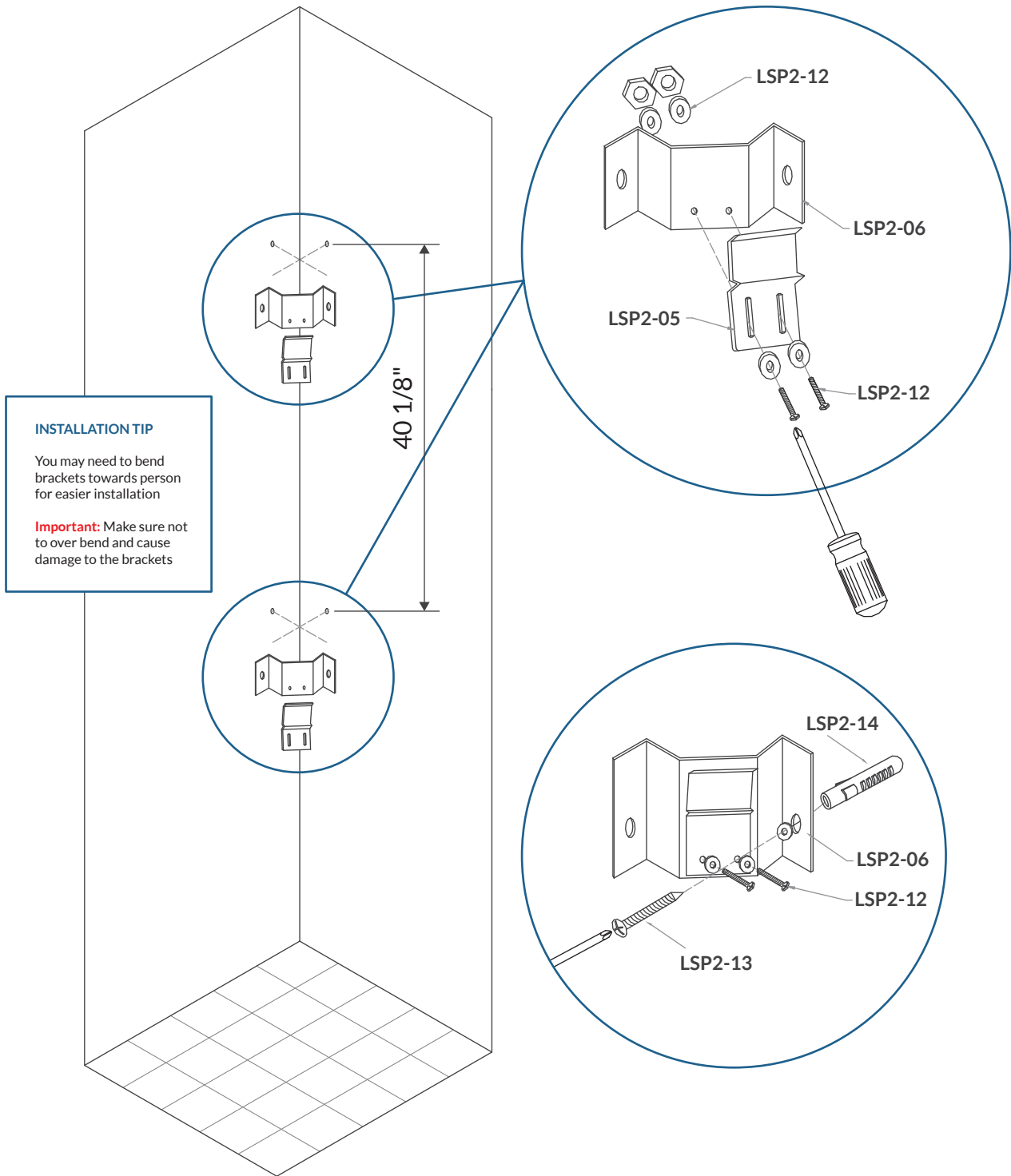
### INSTALLATION TIP

You may need to bend brackets towards person for easier installation

**Important:** Make sure not to over bend and cause damage to the brackets

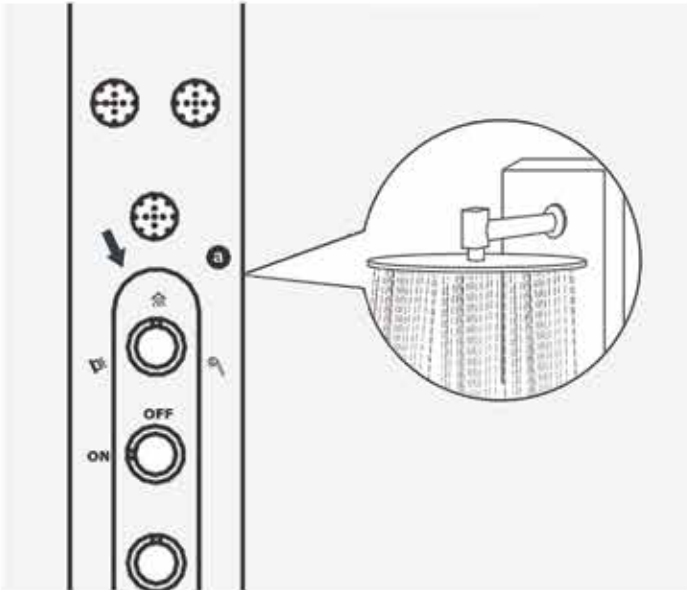
### Attention!

If turning the thermostatic control handle gives both hot and cold water, but the water does not mix, the hoses have been connected to the incorrect supplies. Please, disconnect the hoses, re-attach them to the correct supplies and test the unit again.



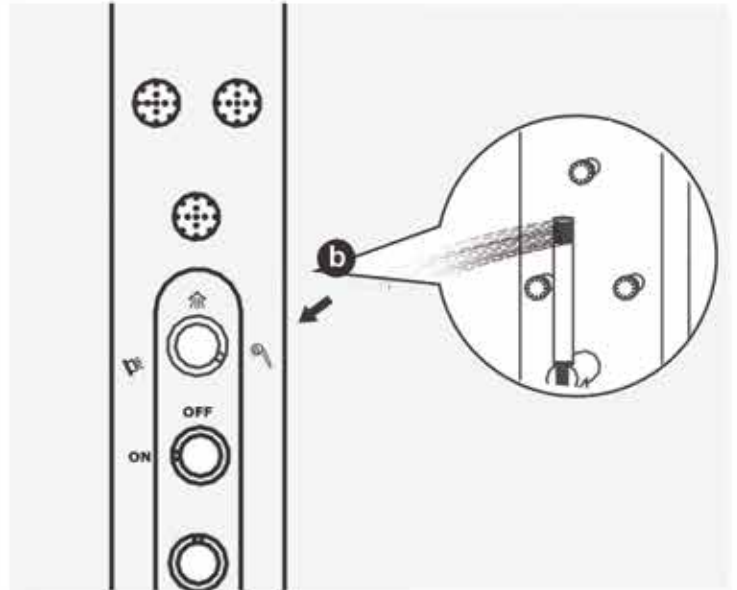
### • Shower Head Position

When the position knob is placed in "a".



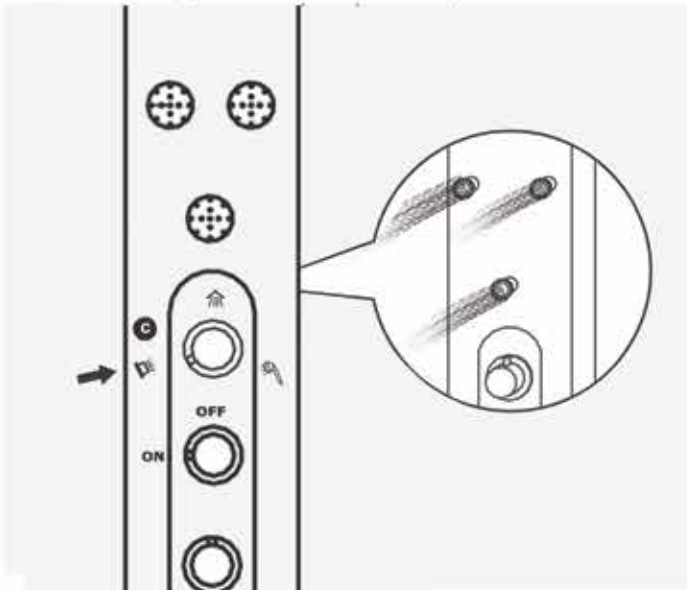
### • Hand Shower Position

When the position knob is placed in "b".



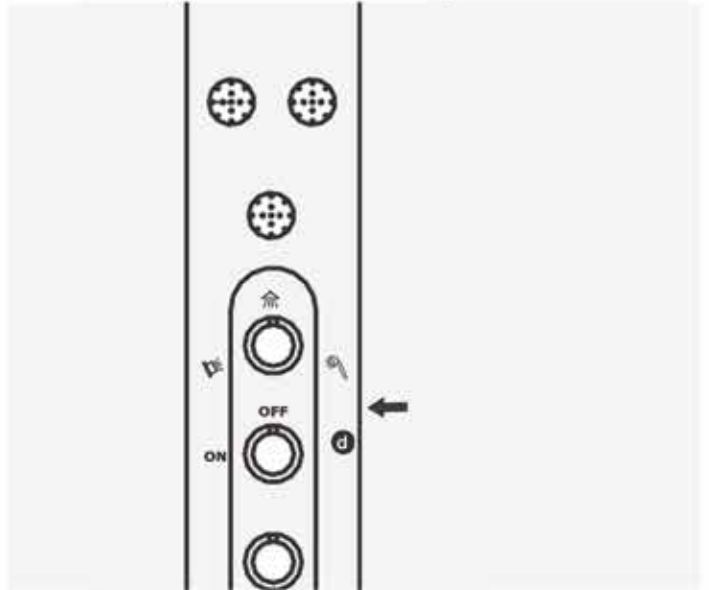
### • Spray Position

When the position knob is placed in "c".



### • OFF Position

When the position knob is placed in "d".





### Note: How to use two modes simultaneously

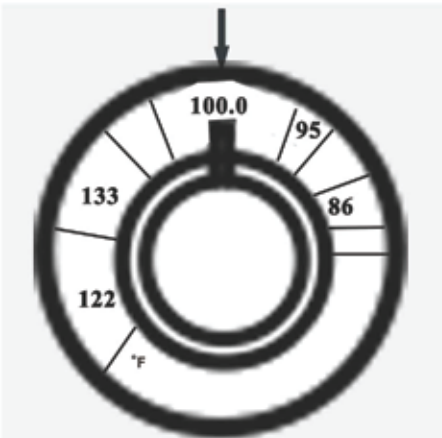
When the position knob is placed in between each setting mark, this will result in a sharing of water output between 2 operating modes. This can be used if combination of 2 modes is desired however the water output will be reduced due to sharing of water flowing through the system between those 2 operating modes.

#### For example:

When the position knob is placed e, the shower head and the back jets will work simultaneously.



## How to use the Temperature Control Knob



### Attention:

- The maximum water temperature output should be 100.0 F.



### How to use the Temperature Control Knob:

- Turning the handle clockwise makes the water cooler; turning the handle counter-clockwise makes the water warmer.
- When the safety stop override is at the 12:00 position, the output water is 100.0°F, the handle will stop.
- If a user wants water hotter than 100.0°F, press the safety stop override button and continue turning the handle counter-clockwise.



## CLEANING RECOMMENDATION FOR LESSCARE SHOWER PANEL SYSTEMS

Modern sanitary tap-ware, kitchen mixers and showers consist of very different materials to comply with the needs of the market with regard to design and functionality. To avoid damage and reclamations, it is necessary to consider certain criteria when cleaning.

## CLEANING MATERIAL FOR MIXERS AND SHOWERS

Acids are necessary ingredients of cleaning materials for removing lime, however, please pay attention to the following points when cleaning mixers and showers:

- Only use cleaning materials which are explicitly provided for this type of application.
- Never use cleaning materials which contain hydrochloric, formic or acetic acid, as they cause considerable damage.
- Phosphoric acid is also restricted as it can cause damage to the finish.
- Never mix any cleaning material with another.
- Never use cleaning materials or appliances that have an abrasive effect, such powdered and industrial cleansers, scouring pads or micro fiber cloths.

## CLEANING INSTRUCTIONS FOR MIXERS AND SHOWERS

Please follow the instructions on your cleaning materials. In addition, pay attention to the following points:

- Clean the mixers and showers as needed and when required.
- The cleaning dosage and time the cleaner needs to take effect should be adjusted according to the product and the cleaner should not be left longer than necessary.
- Regular cleaning can prevent calcification.
- When using spray cleaner, spray first onto a cloth or sponge-never directly spray onto the sanitary tap-ware as drops could enter openings and gaps and cause damage.
- After cleaning, rinse thoroughly with clean water to remove any cleaner residue.

**ATTENTION!** Residues of liquid soaps, shampoos and shower foams can also cause damage, so rinse with clean water after using. If the surface is already damaged, the effect of cleaning materials Will cause further damage.

**IMPORTANT!** Damage caused by improper treatment will not be covered by our limited warranty

## TROUBLESHOOTING

ISSUE	CAUSE	REMEDY
1. Water level is too low	Debris in flexible hose connection	Flush the line
2. Hand shower delivering insufficient water	build up of mildew or soap scum	Soak or replace hand shower
3. Temperature regulation not possible (only hot or cold water at time of installation*)	a) Thermostatic cartridge is defective b) PSI or GPM improper	a) Exchange thermostatic cartridge b) Install pressure regulator
4. Temperature regulation not possible (only hot or cold water)	Thermostatic cartridge is defective or supply hose(s) faulty	Exchange thermostatic cartridge Resecure or replace supply hose(s)

\* - LessCare is not responsible for pressure related issues stemming from the home's water supply. The customer should read, understand and/or ask a certified plumber prior to installation. If these steps are not taken the product may not work at optimum efficiency.



**INSTALLATION OF LESSCARE PRODUCTS BY AN  
INEXPERIENCED INSTALLER MAY RESULT  
PERSONAL INJURY OR DEATH!**



**INSTRUCTIONS THAT, IF IGNORED COULD RESULT IN DEATH OR SERIOUS INJURY CAUSED BY INCORRECT HANDLING OR INSTALLATION OF THE PRODUCT. THESE INSTRUCTIONS MUST BE OBSERVED FOR SAFE INSTALLATION.**

LessCare is not responsible for local code compliance. Building and plumbing codes may vary from state-to-state in accordance to your location. LessCare is not responsible for providing any compliance certifications.

**ATTENTION!** Responsibility for compliance with your local code requirements **are excluded from this warranty**

**ATTENTION!** This limited warranty is voids on any commercial installation

LessCare products must be installed by a fully insured and licensed professional only. Installation of any LessCare product by anyone other than fully insured and licensed professionals shall **void limited warranty**. LessCare recommends that such licensed professionals have experience in the installation of products.

**Retain these installation instructions for future reference!**

LessCare reserves the right to modify this installation instructions at any time.  
It is a customer's sole responsibility to inquiry for the updates of the installation instructions.