



ONE PIECE TOILET

Model: **LT2**

MPN: **B0341**

INSTALLATION INSTRUCTIONS

⚠️ READ ALL INSTRUCTIONS BEFORE UNPACKING THE PRODUCT

INSTRUCTIONS THAT, IF IGNORED COULD RESULT IN DEATH OR SERIOUS INJURY CAUSED BY INCORRECT HANDLING OR INSTALLATION OF THE PRODUCT. THESE INSTRUCTIONS MUST BE OBSERVED FOR SAFE INSTALLATION.

CAUTION! **TWO PERSON LIFT REQUIRED** 2 PEOPLE ARE REQUIRED TO LIFT AND DURING ENTIRE INSTALLATION OF THIS PRODUCT

⚠️ INSTALLATION OF LESSCARE PRODUCTS BY AN INEXPERIENCED INSTALLER MAY RESULT PERSONAL INJURY OR DEATH! ⚠️

LessCare reserves the right to change, update, modify, alter, redesign this manual/product or its policies without prior notice! It is your responsibility to visit website to download or contact customer service for the most updated version of the installation instructions.
LessCare shall not be liable for any injuries or property damages in connection with this product during installation or use of this product!

LessCare products must be installed by a fully insured and licensed plumber only. Installation of any LessCare product by anyone other than fully insured and licensed plumber shall void limited warranty. LessCare recommends that such licensed plumber have experience in the installation of products.
Limited warranty is void on any commercial installation
LessCare is not responsible for local code compliance for this product. Building and plumbing codes may vary from state-to-state in accordance to your location. LessCare is not responsible for providing any compliance certifications.
LessCare is not responsible to provide any type of certifications for this product
Under no circumstances LessCare shall not be liable for any and all incidental damages sustained in connection with this product
Neither manufacture, nor distributor, nor retailer is responsible for water damage or flood caused due to use of this product.
Under no circumstances LessCare shall not be liable for any and all fees, cost of installation/reinstallation/removal, subsequent damage or transportation in case of the product defect

TOILET COMPONENTS

During unpacking the product and prior to installation inspect your new product for any damages or missing parts. **Do not attempt to install or operate the product if the product is damaged.**

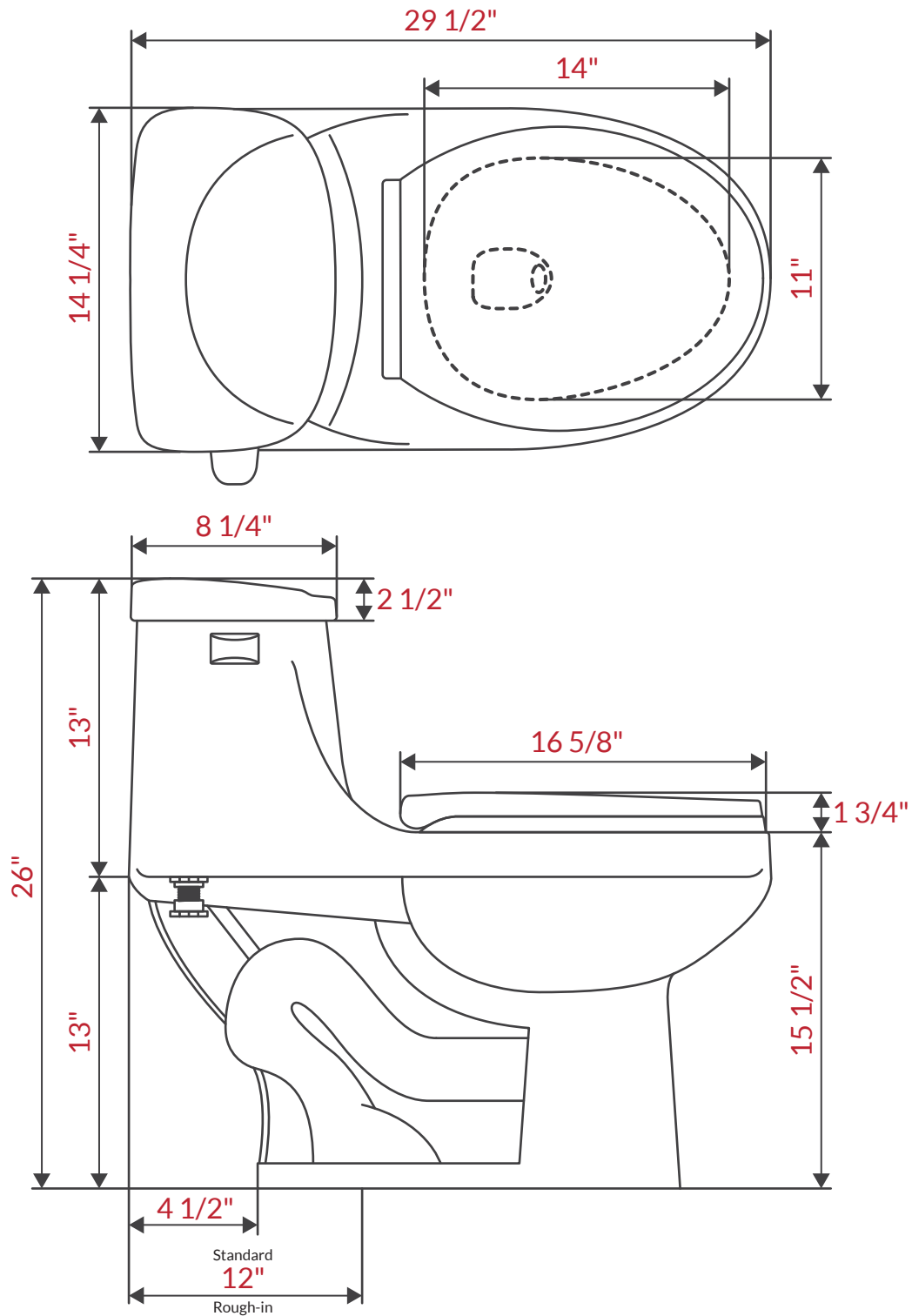
- One piece toilet with soft-close toilet seat x1
- Nuts x2
Washers x2
- Closet Bolts x2
- Wax Ring x1

TOOLS REQUIRED FOR INSTALLATION

- Soft Cloth or Blanket
- Silicone Caulk Gun
- Tape Measure
- Pencil/Marker
- Safety Glass
- Adjustable Wrench
- Channel Lock Pliers
- Philips Screwdriver
- Level
- Putty Knife
- Knife

OTHER TOOLS MAY BE REQUIRED

DIMENSIONS/TECHNICAL DATA



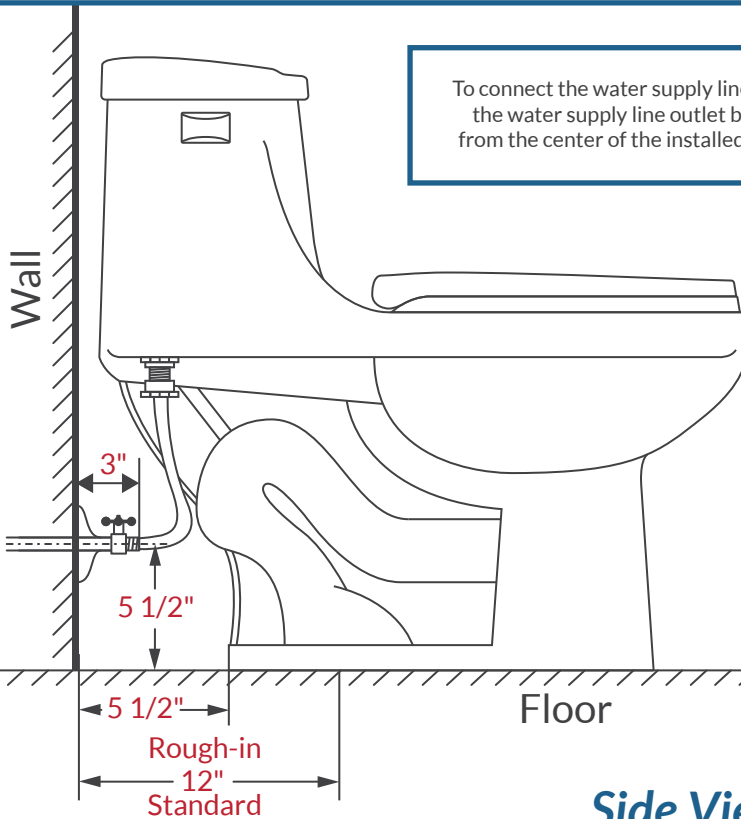
ATTENTION! Dimensions may vary by up to $\frac{3}{8}$ ". It is highly recommended to pull all dimensions of actual model for installation and measuring purposes.

TECHNICAL DATA

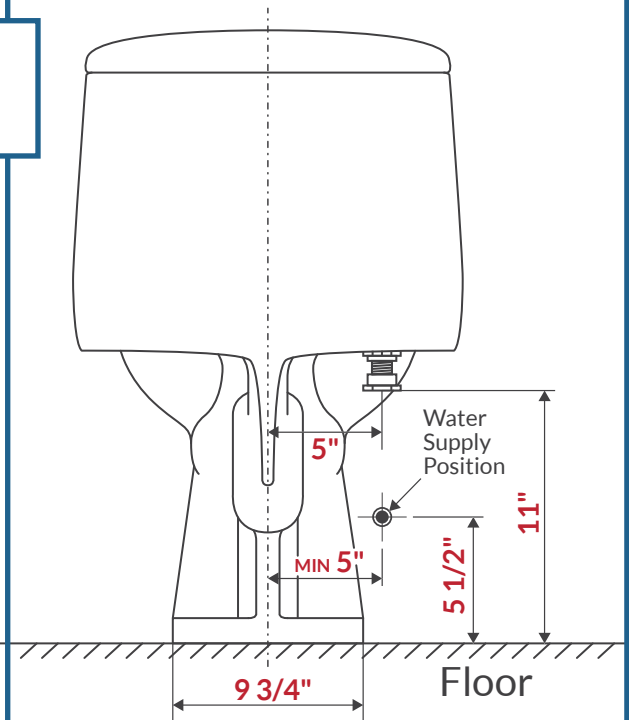
- Single flush: 1.6 GPF

WATER SUPPLY LOCATION/TECHNICAL INFORMATION

To connect the water supply line offset the water supply line outlet by 10" from the center of the installed toilet.



Side View



Back View

ATTENTION! Dimensions may vary by up to 3/8". It is highly recommended to pull all dimensions of actual model for installation and measuring purposes.

ADJUST SOFT-CLOSE SEAT



Adjustment screws and nuts for the soft-close toilet seat are located at both sides of the toilet underneath the toilet seat. If the seat is loose or needs adjustment locate the nuts on both sides of the toilet and loosen the seat by turning both nuts clockwise. Adjust the toilet seat as needed and fasten both nuts of the seat by turning each nut counterclockwise.

Important: Do not use any type of pliers at this step. Use only hand power. Using pliers or similar tools may damage the plastic mounting hardware or the toilet itself.

See Figure 7

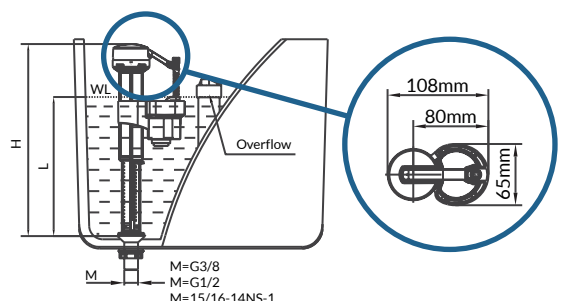


Do not use or drop any chlorine or any chemical related components. Use of such products will result in damage to tank components and may cause flooding and property damage and void warranty. Do not overtighten nuts, or tank/bowl may crack.



FILL VALVE DIAGRAM

The height of "H" & "L" doesn't include the height of triangle seal.
 9" fill valve pipe: H adjustable range 194-269mm, L adjustable range 87-231mm
 10" fill valve pipe: H adjustable range 209-309mm, L adjustable range 102-271mm
 11" fill valve pipe: H adjustable range 234-334mm, L adjustable range 127-296mm





IMPORTANT!

Shut off main water supply prior to installation!

REMOVE OLD TOILET

1. Shut off water supply line. If you do not have shut-off valve near the toilet shut off main water supply line.
2. Flush the old toilet and make sure that tank is empty.
3. Disconnect and remove water supply line connected to the toilet's tank.
4. Remove old toilet, bolts, nuts from the closet flange.
5. Clean closet flange area from old wax ring and putty sealant using putty knife from the base area.
6. Clean any remaining debris and wipe any water at the installation area
7. Temporarily plug flange on a floor with a flange plug or towel to prevent gasses from escaping

IMPORTANT! The mounting surface area must be clean, dry, and leveled prior to installation of the new toilet!

NOTE! Inspect the existing closet flange for damages. If damaged, replace it to new flange before proceeding to the installation

PREPARE CLOSET FLANGE

Make sure that rough-in is 12" by measuring the distance from the wall to the center of the closet flange.

See Figure 1

Step 1. Insert 2 floor bolts inside of the toilet flange

Step 2. Slide the closet bolts through the holes and align bolts horizontally.

See Figure 2

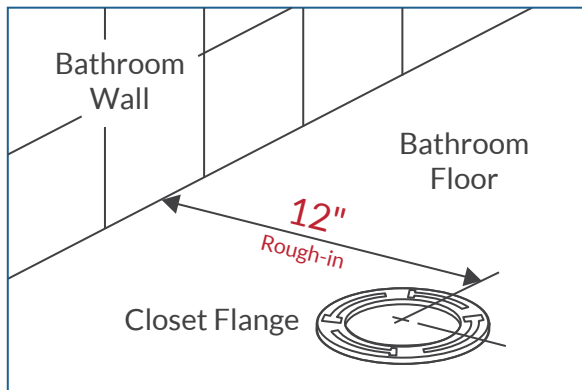


Figure 1

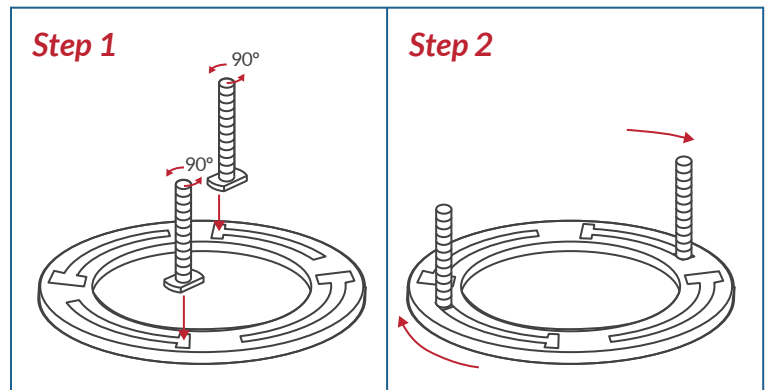


Figure 2

INSTALL WAX RING

Important: safety glasses must be worn by the installer and all bystanders.

Cover the floor with a soft-close blanket. Carefully turn the toilet on it's side or upside-down on the blanket with assistance of a second person. Install wax ring over the horn discharge located on the bottom of the toilet's bowl. See Figure 3

Note: Ceramic is a fragile material. Always cover the floor with a soft-cloth blanket if you want to put the toilet on the floor on any side other than the bottom of the toilet. If you do not cover the floor with the blanket contact of the toilet with the floor may and will cause minor or moderate scratches on the toilet's surface.

Prior to installtion the wax ring must be kept in a room temperature between 70-75°F.

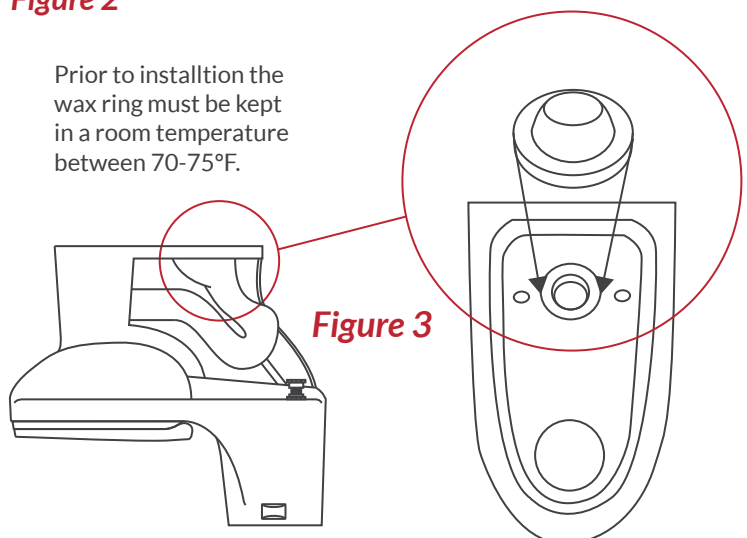


Figure 3

⚠ Always Use Soft-Cloth Blanket

INSTALLATION INSTRUCTION

INSTALL NEW TOILET

Step 1. Lift and carefully put the toilet over the closet flange so the closet bolts can go through the mounting holes in the toilet's base. Once the bowl is in the position press the bowl down with slight twisting motion in level position towards the floor. Apply your body weight to evenly compress the wax ring to create watertight seal. Make sure that the bowl is as leveled as possible to have a nice seal tight.

Do not rock the toilet back and forth and side to side as it may and will break a seal and you will need to replace the wax ring again and start the installation process over.

See Figure 4

Step 2. Once the toilet is set and leveled install washers and nuts over the closet bolts. Tighten nuts. Do not overtighten the nuts. It may and will cause damage to the toilet's ceramic base. Install bolt caps on top of the bolts.

See Figure 5

CONNECT TOILET'S TANK TO WATER SUPPLY LINE

Connect the water supply line between the tank and water shut-off valve using a toilet hose (not supplied). When connecting toilet hose tighten coupling nut to the tank by 1/4 turn beyond the hand tight.



Do not overtighten nut on the tank connection. It may and will cause water leakage.

Turn on valve on water supply line and allow tank to fill. Check all connections for leakages and tighten as needed. Once tank is filled with water flush it 4-5 times to perform a test of the flushing system. At the same time check the bottom of the toilet for leaks to make sure that the wax ring is properly installed and sealed.

If there are no leaks you are ready finalize the installation. If any shims are installed at the bottom of the toilet's bowl you may trim them. Apply silicone around base of the toilet's. Allow 24 hours for silicone to dry before start using the toilet. See Figure 6

Important: Leaks may not occur during or right after the installation. Make sure to check for leaks every couple hours first day installed and occasionally check it everyday for the next week to ensure that toilet is properly installed and no leaks occur. If any leaks occur immediately shut off the water supply line valve and contact your local plumber to fix all leaks.

Important:

Under no circumstances LessCare shall not be liable for any and all incidental damages sustained in connection with this product

Neither manufacture, nor distributor, nor retailer is responsible for water damage or flood caused due to use of this product.

Under no circumstances LessCare shall not be liable for any and all fees, cost of installation/reinstallation/removal, subsequent damage or transportation in case of the product defect

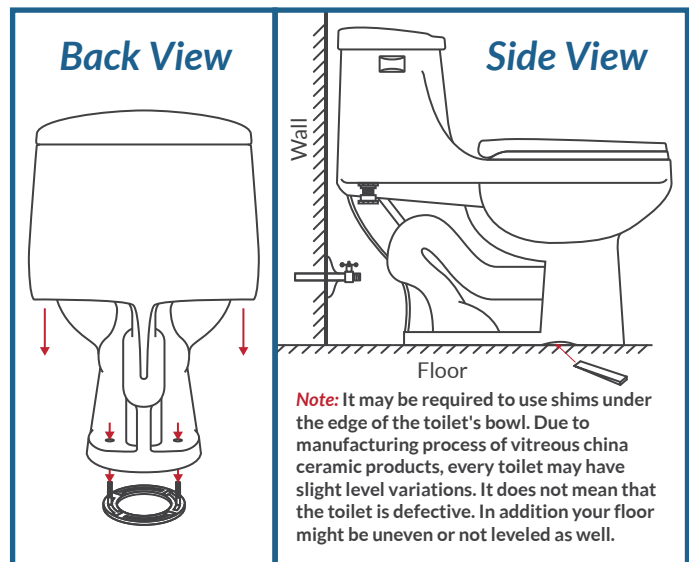


Figure 4

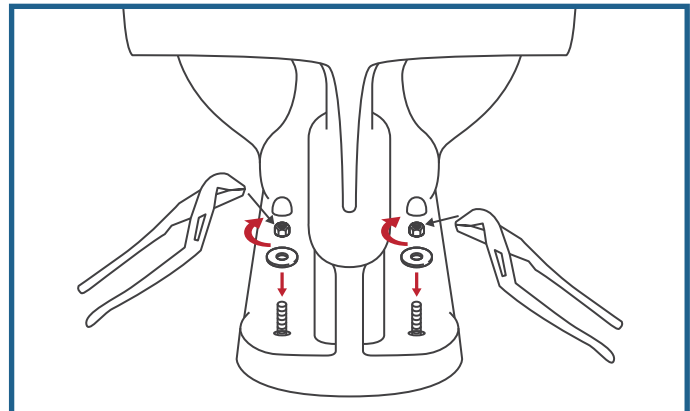


Figure 5

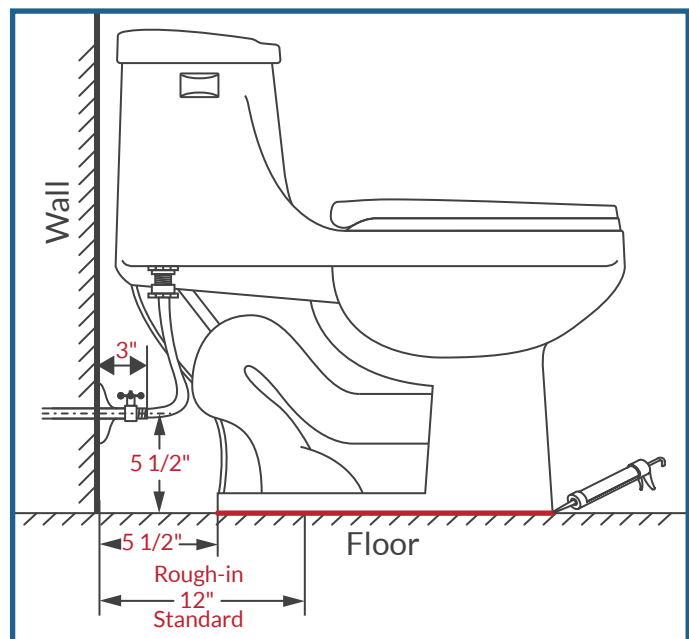


Figure 6

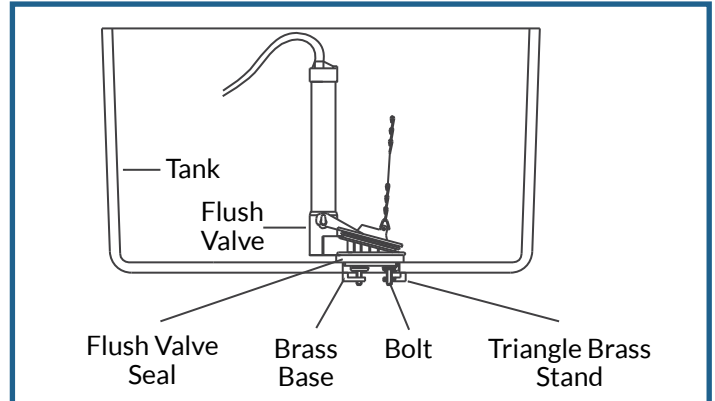
FLUSH VALVE ASSEMBLY (REFERENCE ONLY)



Important Note: This device is not intended to be used as retrofit device for 1.28 GPF water closet. Performance may vary since product was not tested on all models of water closets.

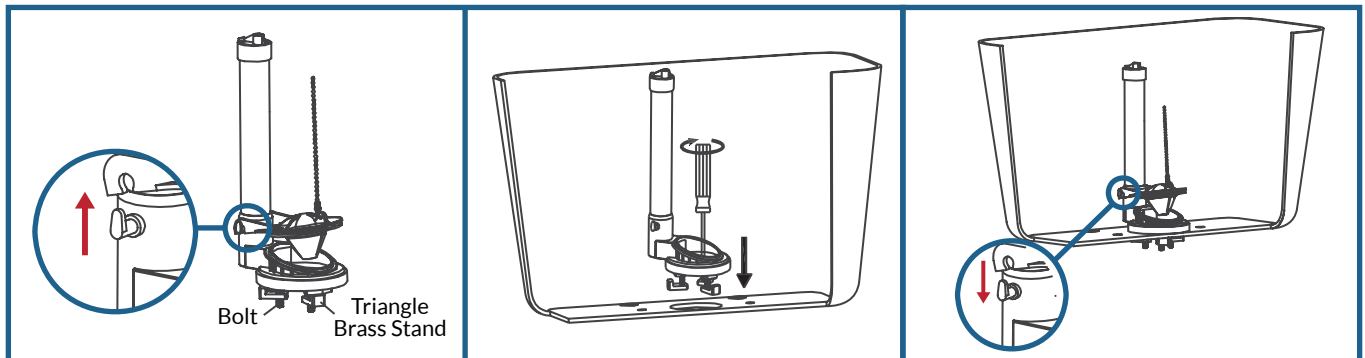
WORK PREPARATION

Remove the inoperative tank fittings and carefully clean the water cistern/tank. Make sure all debris has been removed prior to installing new tank fitting.



FLUSH VALVE INSTALLATION

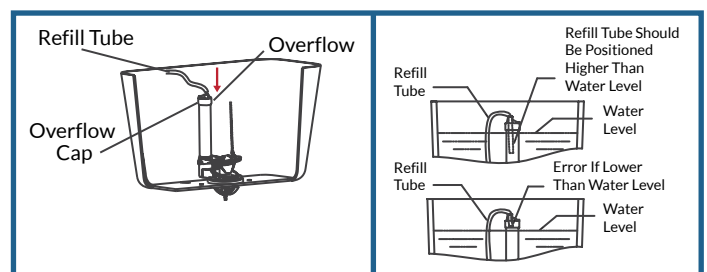
Remove the flapper. Rotate the triangle brass stand until it reaches the end of the bolt. Insert flush valve base attached with rubber seal into hole at the bottom of the tank. Adjust flush valve base to make the triangle brass stand locate well around the bottom hole of tank. Use a screwdriver to tighten to tighten the valve sufficiently to avoid leakage. Do not overtighten bolts. Install flapper.



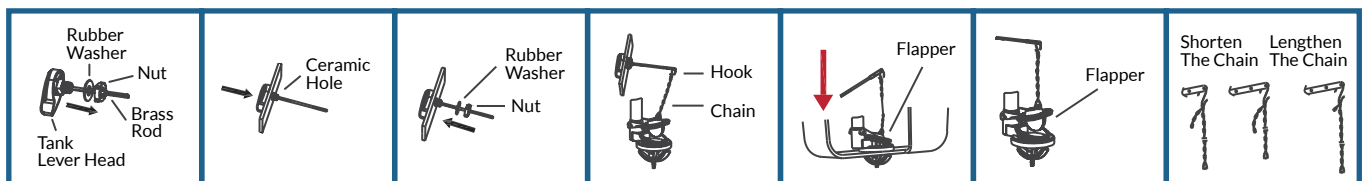
REFILL TUBE INSTALLATION AND ADJUSTMENT

Attach one end of the refill tube to the refill port of the fill valve and the other end of the refill tube to the overflow pipe of the flush valve. Attach one end of the refill tube to the refill port of the fill valve and the other end of the refill tube to the overflow pipe of the flush valve.

Important Note: Adjust refill tube, make sure tube is above the water line.



INSTALLATION OF TANK LEVER



Rotate screw anticlockwise from brass rod and take out nut and rubber washer.

Insert tank lever arm from the exterior of ceramic tank into the ceramic hole.

Insert tank lever arm from the exterior of ceramic tank into the ceramic hole.

Hang the chain hook to hole of tank lever arm

Hang the chain hook to hole of tank lever arm

Too short chain will cause leaks because flapper cannot cling to flush valve hole.

Adjust chain length to meet the requirement.

Note: Rotate tank lid for convenient operation when you hang the chain and adjust the chain length, if necessary. The chain length should be proper to make flapper cling to flush valve hole or be lifted well after pressing the tank lever.

TROUBLESHOOTING

Issue	Cause	Solution	Solution #4
Water level is too high or too low	Improper water level adjustment	Adjust the water level	<p>WRONG RIGHT</p> <p>Water Level</p>
Fill valve fails to shut off or fails to fill the water into the toilet's tank	<ol style="list-style-type: none"> 1. Inlet valve switch is turned on. 2. Inlet valve float crashed against ceramic wall 3. Filter screen is clogged due to dirty water 4. Improper refill hose installation 	<ol style="list-style-type: none"> 1. Turn on inlet valve switch 2. Adjust inlet valve position 3. Clean the filter screen 4. Install refill hose correctly (see diagram on the right) 	

MAINTENANCE & CARE

Use soft sponges or soft-cloths to clean the surface. Always rinse thoroughly any cleaning solutions immediately after cleaning. Do not any chemical remain on the surface for extended periods of time.

IMPORTANT!

DO NOT USE: Abrasive cleaners such as: acid, ammonia, bleach, and similar solutions. Use of such solutions may cause corrosion, finish peeling, and/or dull the surface.

DO NOT USE: Abrasive sponges or cloth. Never use steel, wool, or wired brushes that will permanently scratch the surface.

FILL/FLUSH VALVES MAINTENANCE & CARE

Do not pour any amounts of chlorine or any other chemicals into the tank. Use of chemical products will result in damage to the fill valve and flush valve components and may cause flood and property damage

Note: fill and flush valves are maintenance free. No maintenance is required.

Retain these installation instructions for future reference!

Thank you for using LessCare products!

