



ONE PIECE TOILET

Model: **LT8**

MPN: **AN5036**

INSTALLATION INSTRUCTIONS

! READ ALL INSTRUCTIONS BEFORE UNPACKING THE PRODUCT

INSTRUCTIONS THAT, IF IGNORED COULD RESULT IN DEATH OR SERIOUS INJURY CAUSED BY INCORRECT HANDLING OR INSTALLATION OF THE PRODUCT. THESE INSTRUCTIONS MUST BE OBSERVED FOR SAFE INSTALLATION.

CAUTION! **TWO PERSON LIFT REQUIRED** 2 PEOPLE ARE REQUIRED TO LIFT AND DURING ENTIRE INSTALLATION OF THIS PRODUCT

! INSTALLATION OF LESSCARE PRODUCTS BY AN INEXPERIENCED INSTALLER MAY RESULT PERSONAL INJURY OR DEATH! !

LessCare reserves the right to change, update, modify, alter, redesign this manual/product or its policies without prior notice! It is your responsibility to visit website to download or contact customer service for the most updated version of the installation instructions.
LessCare shall not be liable for any injuries or property damages in connection with this product during installation or use of this product!

LessCare products must be installed by a fully insured and licensed plumber only. Installation of any LessCare product by anyone other than fully insured and licensed plumber shall void limited warranty. LessCare recommends that such licensed plumber have experience in the installation of products.
Limited warranty is void on any commercial installation
LessCare is not responsible for local code compliance for this product. Building and plumbing codes may vary from state-to-state in accordance to your location. LessCare is not responsible for providing any compliance certifications.
LessCare is not responsible to provide any type of certifications for this product
Under no circumstances LessCare shall not be liable for any and all incidental damages sustained in connection with this product
Neither manufacture, nor distributor, nor retailer is responsible for water damage or flood caused due to use of this product.
Under no circumstances LessCare shall not be liable for any and all fees, cost of installation/reinstallation/removal, subsequent damage or transportation in case of the product defect

TOILET COMPONENTS

During unpacking the product and prior to installation inspect your new product for any damages or missing parts. **Do not attempt to install or operate the product if the product is damaged.**

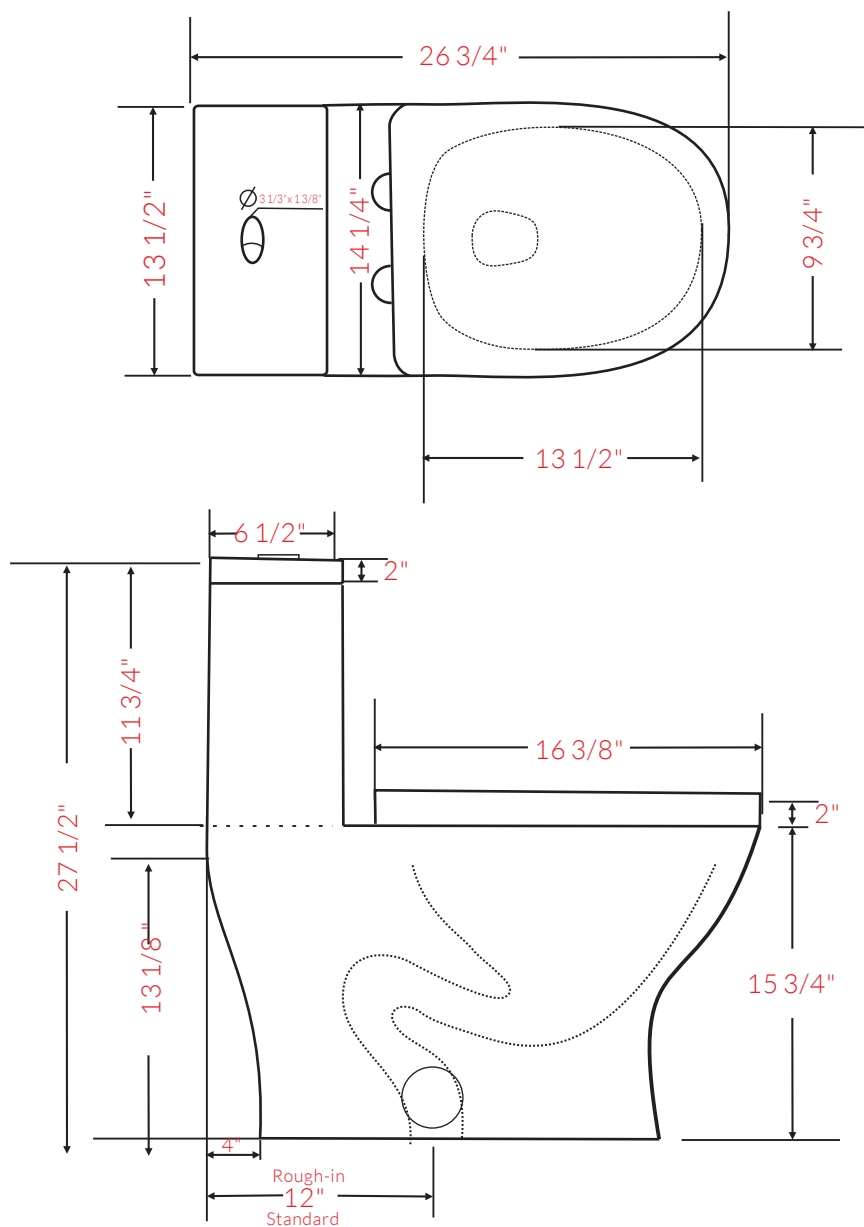
- One piece toilet with soft-close toilet seat x1
- Nuts x2
- Washers x2
- Closet Bolts x2
- Wax Ring x1
- Bolt cap bases x2
- Bolt caps x2
- Plastic Cover x2

TOOLS REQUIRED FOR INSTALLATION

- Soft Cloth or Blanket
- Silicone
- Silicone/Caulk Gun
- Tape Measure
- Pencil/Marker
- Safety Glass
- Knife
- Adjustable Wrench
- Phillips Screwdriver
- Level
- Putty Knife

OTHER TOOLS MAY BE REQUIRED

DIMENSIONS/TECHNICAL DATA

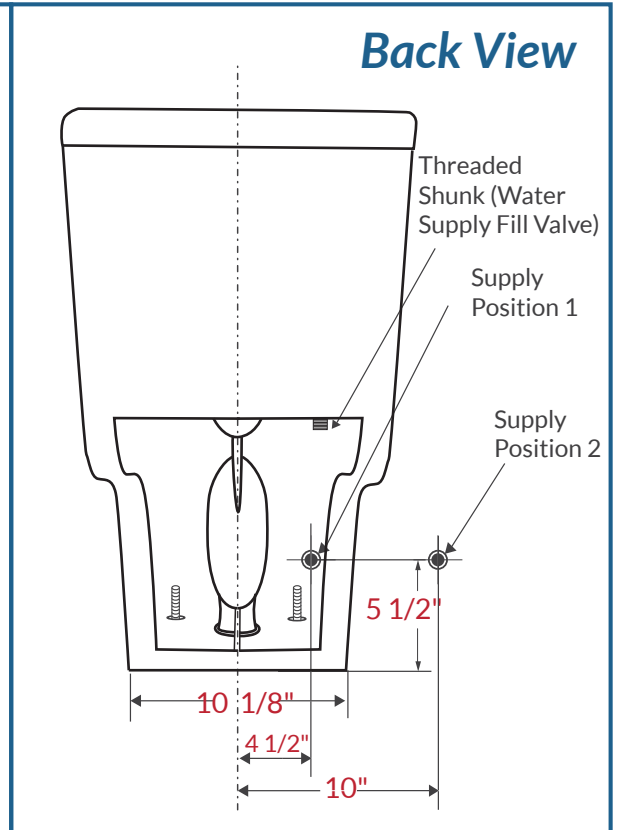
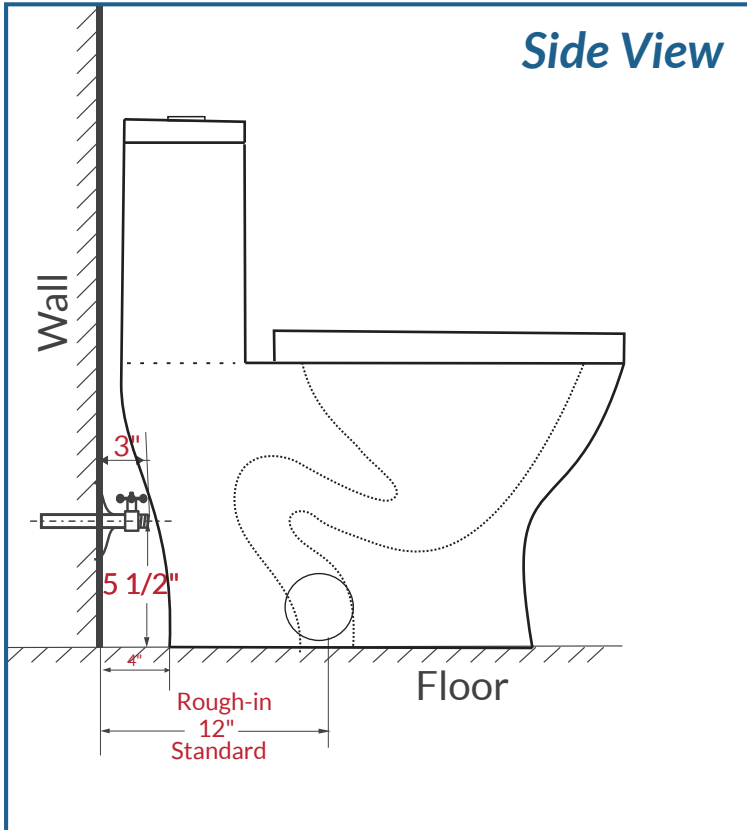


ATTENTION! Dimensions may vary by up to $\frac{3}{8}$ ". It is highly recommended to pull all dimensions of actual model for installation and measuring purposes.

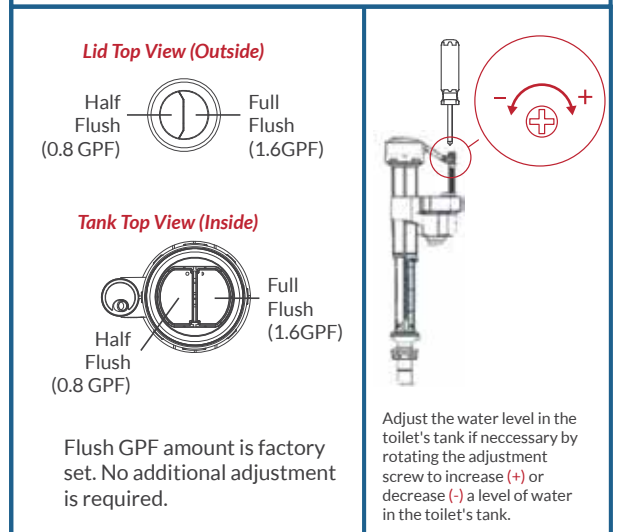
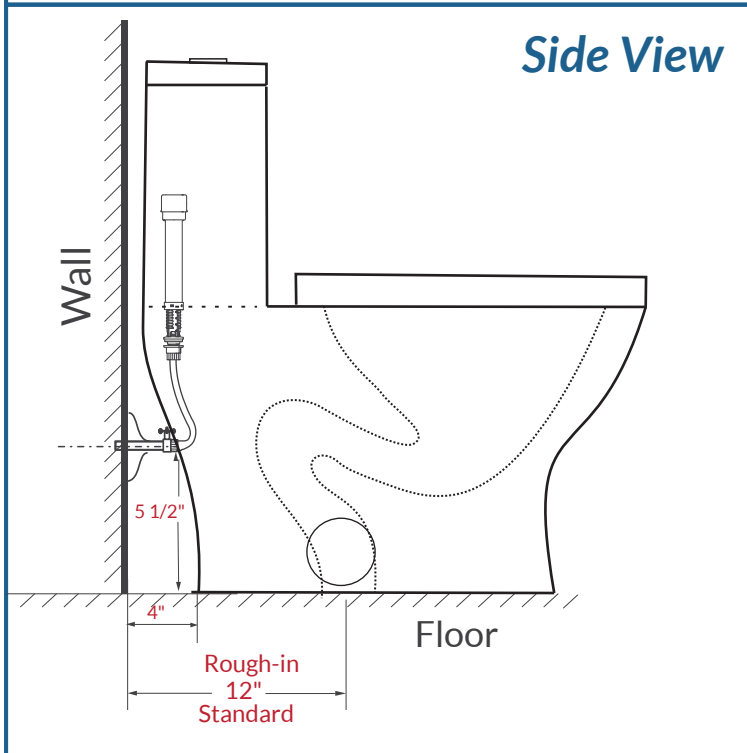
TECHNICAL DATA

- Dual flush 0.8/1.6 GPF

WATER SUPPLY LOCATION & TECHNICAL INFORMATION



You may connect the water supply line using two different options. In both options distance from the floor to the center of the supply line must be 5 1/2". In Supply Position 1, the water supply is located behind the toilet and is offset by 4 1/2" from the installed toilet's center. In supply Position 2 the water supply line must offset by 10" from the center of the installed toilet.



Flush GPF amount is factory set. No additional adjustment is required.

Adjust the water level in the toilet's tank if necessary by rotating the adjustment screw to increase (+) or decrease (-) a level of water in the toilet's tank.

ATTENTION! Dimensions may vary by up to 3/8". It is highly recommended to pull all dimensions of actual model for installation and measuring purposes.

TECHNICAL DATA

- Dual flush 0.8/1.6 GPF



IMPORTANT!
Shut off main water supply prior to installation!

REMOVE OLD TOILET

1. Shut off water supply line. If you do not have shut-off valve near the toilet shut off main water supply line.
2. Flush the old toilet and make sure that tank is empty.
3. Disconnect and remove water supply line connected to the toilet's tank.
4. Remove old toilet, bolts, nuts from the closet flange.
5. Clean closet flange area from old wax ring and putty sealant using putty knife from the base area.
6. Clean any remaining debris and wipe any water at the installation area
7. Temporarily plug flange on a floor with a flange plug or towel to prevent gasses from escaping

IMPORTANT! The mounting surface area must be clean, dry, and leveled prior to installation of the new toilet!

NOTE! Inspect the existing closet flange for damages. If damaged, replace it to new flange before proceeding to the installation

PREPARE CLOSET FLANGE

Make sure that rough-in is 12" by measuring the distance from the wall to the center of the closet flange.

See Figure 1

Step 1. Insert 2 floor bolts inside of the toilet flange

Step 2. Slide the closet bolts through the holes and align bolts horizontally.

See Figure 2

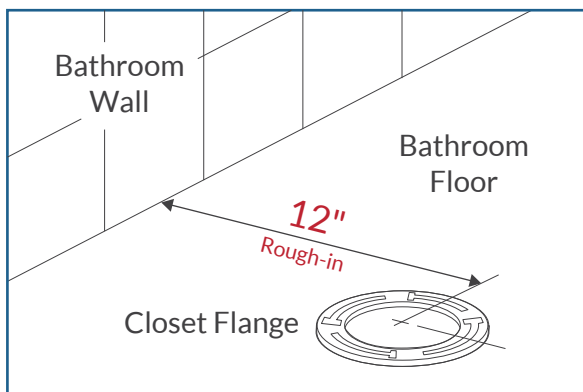


Figure 1

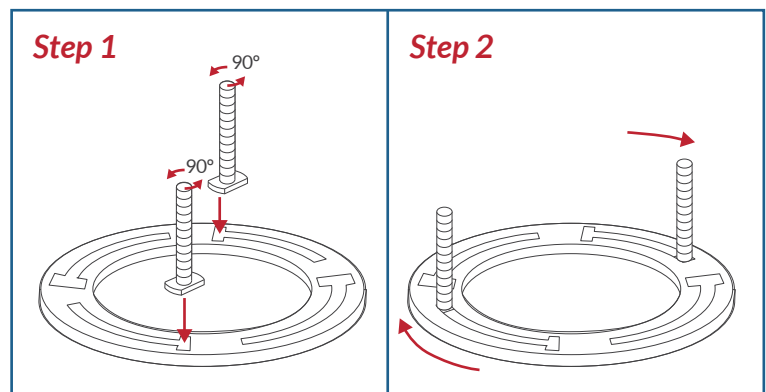


Figure 2

INSTALL WAX RING

Important: safety glasses must be worn by the installer and all bystanders.

Cover the floor with a soft-close blanket. Carefully turn the toilet on it's side or upside-down on the blanket with assistance of a second person. Install wax ring over the horn discharge located on the bottom of the toilet's bowl.

See Figure 3

Note: Ceramic is a fragile material. You must always cover the floor with a soft-cloth blanket if you want to put the toilet on the floor on any side other than the bottom of the toilet. If you do not cover the floor with a soft-close blanket contact of the toilet with the floor may and will cause minor or moderate scratches on the toilet's surface.

Prior to installtion the wax ring must be kept in a room temperature between 70-75°F.

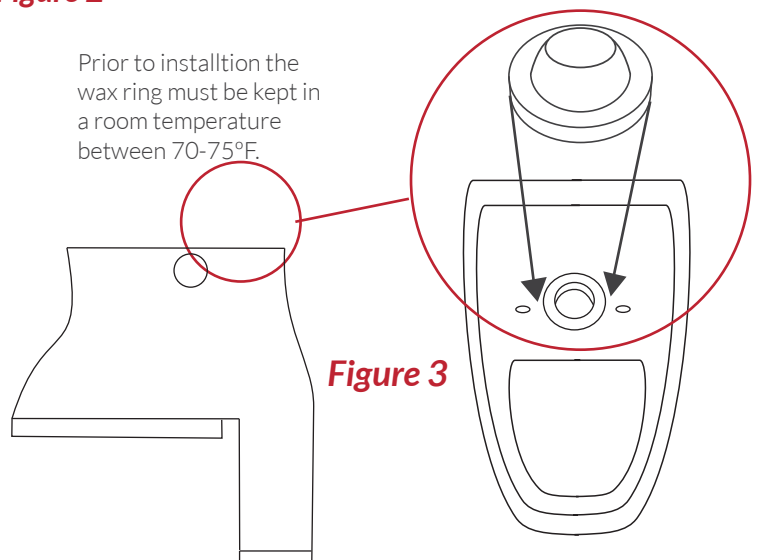


Figure 3



Always Use Soft-Cloth Blanket

INSTALLATION INSTRUCTIONS

INSTALL NEW TOILET

Step 1. Lift and carefully put the toilet over the closet flange so the closet bolts can go through the mounting holes in the toilet's base. Once the bowl is in the position press the bowl down with slight twisting motion in level position towards the floor. Apply your body weight to evenly compress the wax ring to create watertight seal. Make sure that the bowl is as leveled as possible to have a nice seal tight.

Do not rock the toilet back and forth and side to side as it may and will break a seal and you will need to replace the wax ring again and start the installation process over.

See Figure 4

Step 2. Once the toilet is set and leveled, install bolt cap bases, washers, nut and bolt cap from the opening holes on both side of bowl. Do not tighten the nuts. It may and will cause damage to the toilet's ceramic base. Then cover the opening holes with supplied plastic cover.

See Figure 5

CONNECT TOILET'S TANK TO WATER SUPPLY LINE

Connect the water supply line between the tank and water shut-off valve using a toilet hose (not supplied). When connecting toilet hose tighten coupling nut to the tank by 1/4 turn beyond the hand tight.



Do not overtighten nut on the tank connection. It may and will cause water leakage.

Turn on valve on water supply line and allow tank to fill. Check all connections for leakages and tighten as needed.

Once tank is filled with water flush it 4-5 times to perform a test of the flushing system. At the same time check the bottom of the toilet for leaks to make sure that the wax ring is properly installed and sealed.

If there are no leaks you are ready finalize the installation. If any shims are installed at the bottom of the toilet's bowl you may trim them. Apply silicone around base of the toilet's. Allow 24 hours for silicone to dry before start using the toilet. See Figure 6

Important: Leaks may not occur during or right after the installation. Make sure to check for leaks every couple hours first day installed and occasionally check it everyday for the next week to ensure that toilet is properly installed and no leaks occur. If any leaks occur immediately shut off the water supply line valve and contact your local plumber to fix all leaks.

Important:

Under no circumstances LessCare shall not be liable for any and all incidental damages sustained in connection with this product

Neither manufacture, nor distributor, nor retailer is responsible for water damage or flood caused due to use of this product.

Under no circumstances LessCare shall not be liable for any and all fees, cost of installation/reinstallation/removal, subsequent damage or transportation in case of the product defect

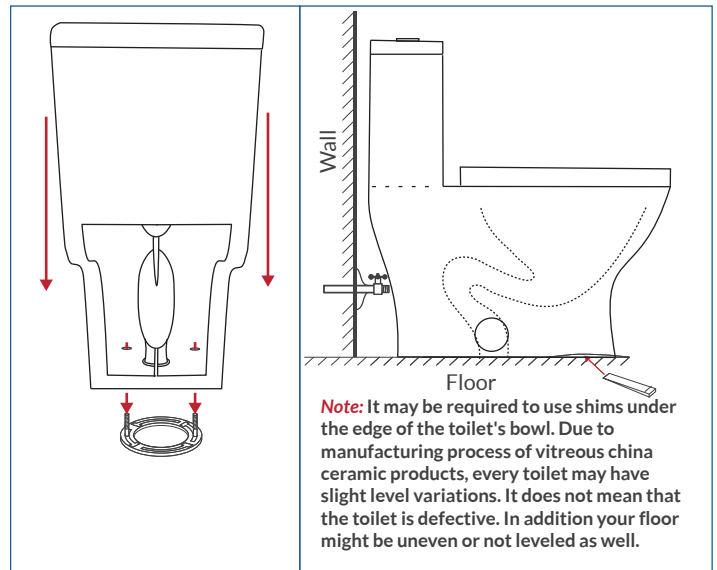


Figure 4

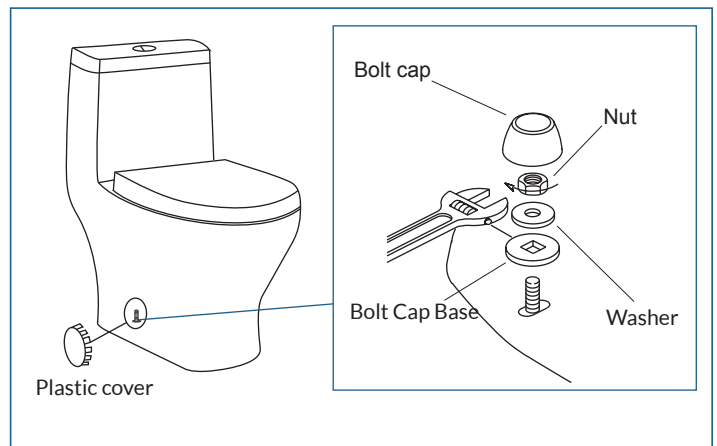


Figure 5

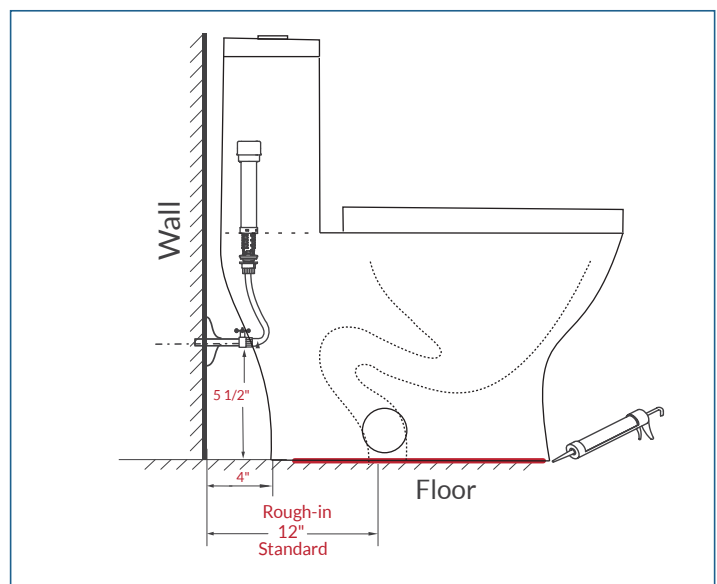


Figure 6

ADJUST SOFT-CLOSE SEAT

If your toilet seat becomes loose or is not properly aligned to the toilet's bowl and requires adjustment you may adjust the position of the seat.

1. Lift the toilet seat up and using a power of your arms pull the toilet seat up vertically while the seat is in up position.
2. Lift the cover cap
3. Using a philips screwdriver make 1-2 turns to loosen the screw slightly (do not unscrew the screw completely)
4. Put your toilet seat back on top of the pins, but do not lock it on them. Make sure you do not hear a click sound. If you here a click or double click sound that means that the toilet seat is locked in place and you need to return to the 1st step of ADJUST SOFT-CLOSE SEAT section. Carefully close the toilet seat and align it with the bowl (do not put cover caps in this step)
5. Carefully lift up the toilet seat so the position of the toilet seat will not shift. Carefully lift the toilet's seat from the the top of the pins.
6. Using a philips screwdriver tighten the screws (do not overtighten the screws.)
7. Put the covers caps back on top of the pins and install the toilet seat back on top of the pins (push the toilet seat down while in upright position until you hear a double click. That means that the toilet seat is fully locked. If you do not hear double click that means that the toilet seat is not in lock position with the pins. Repeat the step 7 and try to use more strength to push it down.)

See Figure 7

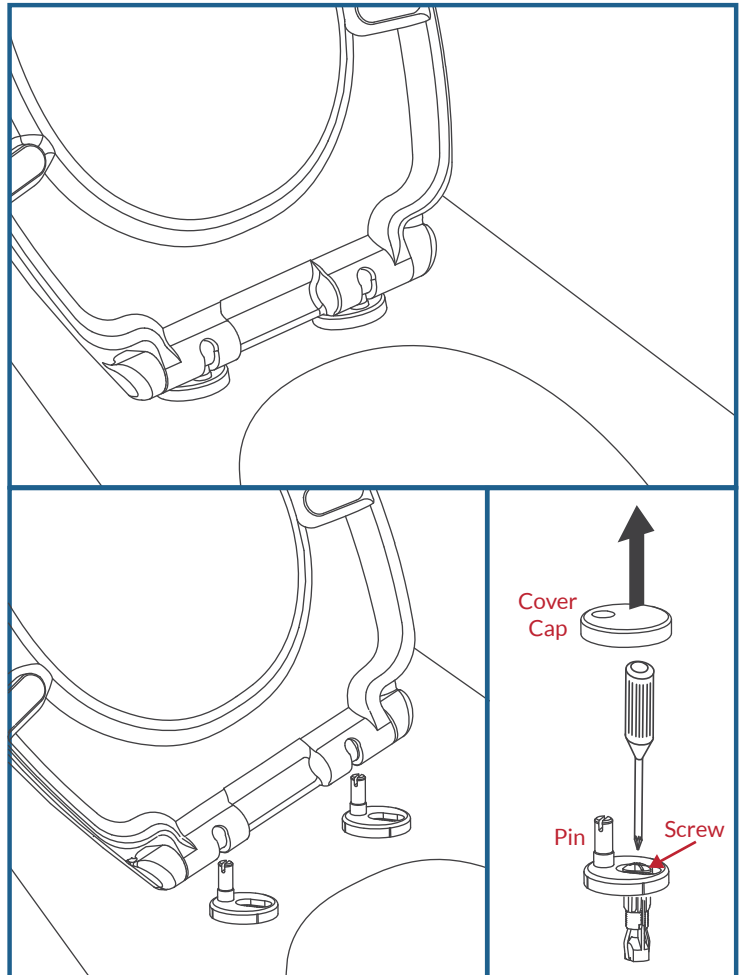
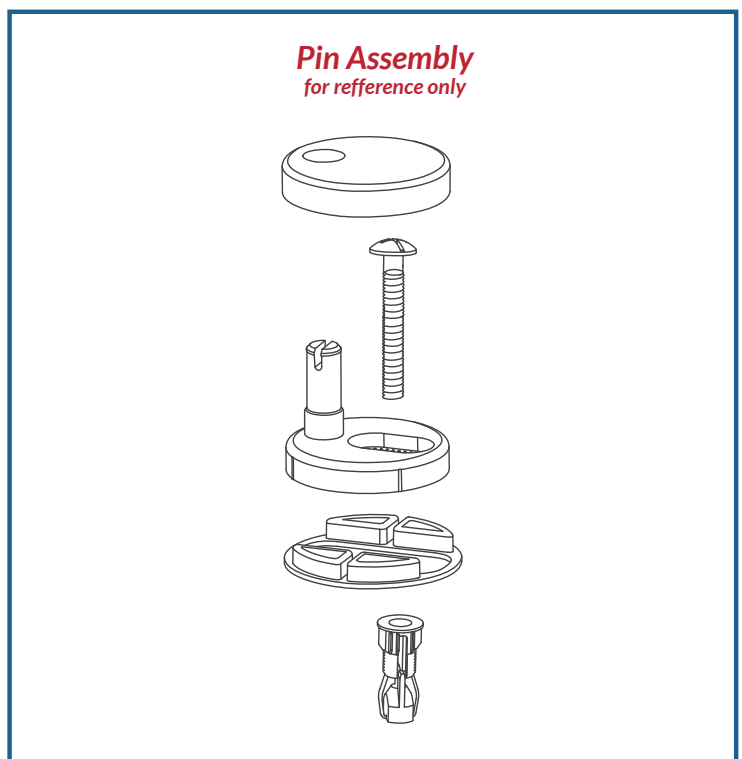


Figure 7



ADJUSTMENT & MAINTENANCE (DUAL FLUSH VALVE)

Important Note: Flush GPF amount is factory set. No additional adjustment is required. This page is for reference only. All adjustments are already made by manufacturer.

BASE INSTALLATION

<p>①</p> <p>Remove body of the valve</p>	<p>②</p>	<p>③</p> <p>metal anchor</p> <p>Place one end of the metal anchor into the ceramic hole and then the other end.</p>	<p>④</p> <p>Use a screwdriver to tighten the valve sufficiently to avoid leakage.</p>	<p>⑤</p>	<p>⑥</p> <p>Installation of the valve body</p>
--	----------	---	---	----------	--

PUSH BUTTON INSTLLATION

<p>①</p> <p>Remove nut</p>	<p>②</p> <p>half push plate full push plate</p> <p>Tighten the nut</p> <p>Installation of push button on tank lid</p>	<p>③</p> <p>Adjust valve clockwise or counterclockwise to insure rod aligns and falls on push plate</p>	<p>④</p> <p>locknut rod rubber cap half push plate full push plate</p> <p>If the rod is too short or long, move the rod by turning it up or down to obtain suitable position then tighten it with the adjusting nut.</p>
----------------------------	---	---	--

REFILL TUBE INSTALLATION

<p>Refill tube should be positioned higher than water level</p> <p>Refill tube water level overflow water level</p>	<p>Error if lower than water level</p>
---	--

FLUSH VOLUME ADJUSTMENT

<p>half adjusting float</p> <p>Float up, half flush volume decreases. Float down, half flush volume increases.</p>	<p>flush adjuster</p> <p>Float up, flush volume decreases. Float down flush volume increase.</p>
--	--

TROUBLESHOOTING

<p>1. Leaking</p>	
<p>① The refill tube wasn't installed properly</p> <p>water level</p> <p>Adjust refill tube, make sure tube is above the water line</p>	<p>② Rod to push button is too long</p> <p>Cut a small portion then readjust Note: cut - the upper end of the rod</p>
<p>③ Debris in water is affecting the valve</p> <p>Remove, clean and reassemble.</p>	<p>④ The valve and base do not fit properly</p> <p>Please remove and then reassemble.</p>
<p>⑤ Rubber gasket does not properly fit. Adjust gasket so the flat end is seated flush with the ceramic.</p>	<p>2. Little or no flush volume when the push button is activated</p> <p>Push button rods too short, readjust length</p>

ADJUSTMENT & MAINTENACE (FILL VALVE)

Important Note: Flush GPF amount and fill valve are factory set. No additional adjustment is required. This page is for reference only. All adjustments are already made by manufacturer.

	<p>Refill tube (the refill tube is optional based on the user's requirement.)</p>	<p>Instructions: When valve installed, the critical level mark on fill valve (identified by C.L. mark on valve body) should be at least 1" above top of the over flow pipe.</p> <p>Required: • Water temperature: 36-112°F</p> <p>Important: Under no circumstances LessCare shall not be liable for any and all incidental damages sustained in connection with this product Neither manufacture, nor distributor, nor retailer is responsible for water damage or flood caused due to use of this product. Under no circumstances LessCare shall not be liable for any and all fees, cost of installation/reinstallation/removal, subsequent damage or transportation in case of the product defect</p>
--	---	--

IMPORTANT: Do not use or drop any chlorine or any other chemicals. Use of chemical products will result in damage to the fill valve and flush valve components and may cause flood and property damage. Do not overtighten bolts/nuts as it may and will cause damage to the toilet parts and componets.

1. PREPARATION

Remove the worn-out fittings and clean your tank prior to the installation of the new ones. There might be a lot of impurities in your tank that may cause damage to the new parts if you do not clean them out. The tank must be absolutely clean prior to installation.

2.MAJOR WATER ADJUSTMENT

<p>Remove the clip as per the drawing</p>	<p>Unscrew the fill valve body counterclockwise, push the body up or down to the desired height and refasten valve body by turning clockwise.</p>	<p>Install the clip as per drawing</p>
---	---	--

3.MINOR WATER ADJUSTMENT

<p>Slide tab in the "Open" direction as shown in the drawing</p>	<p>To reduce water level: Lower the float to the desired height and rotate the thumb screw counterclockwise. This will - move the float - down as per drawing</p>	<p>To increase water level: Rotate the thumb screw clockwise. Lift the float and the water level will correspond. Set the float to the desirable position. (as the drawing)</p>
--	---	---

<p>Slide the tab to the "CLOSE" position as per the drawing.</p>	<p>Note on Float Adjustment</p> <p>Make sure that distance between float and shut-off cup is 0.5-2mm while at adjustment</p>
--	---

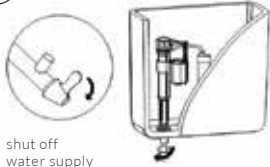
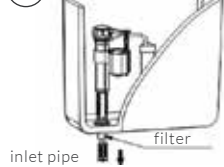


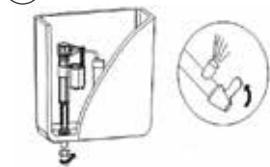
4.FILL VALVE INSTALLATION

<p>Unscrew the nut and remove both the plastic and rubber washer (optional)</p>	<p>Insert the fill valve into the installation hole at the bottom of the tank and then install the rubber and plastic washer (optional) and tighten the nut.</p>	<p>Insert the refill tube into the overflow pipe (optional) of the flush valve.</p>	<p>Install water supply line onto the shank of the fill valve and turn on water supply valve/angle stop. Choose adaptor or wing nut based on actual requirement.</p>
---	--	---	--

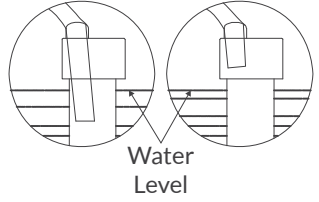
CLEANING & TROUBLESHOOTING (FILL VALVE)

FILL VALVE CLEANING

(Filter which is located inside the inlet valve shank is require for cleaning periodically)

①		②		③		④		⑤	
	shut off water supply		inlet pipe filter		brush				
	Shut off the water supply valve (angle stop) then reomove the water supply line from the adaptor.		Remove the filter sreen from the inner portion of the shank		Clean the filter screen with water		Re-install clean filter back into the inner portion of the shank.		Insert the water supply back to the inlet valve shank and turn on the water supply valve/angle stop.

TROUBLESHOOTING

Issue	Cause	Solution	Solution #4
Water level is too high or too low	Improper water level adjustment	Adjust the water level	<p>WRONG RIGHT</p>  <p>Water Level</p>
Fill valve fails to shut off or fails to fill the water into the toilet's tank	<ol style="list-style-type: none"> Inlet valve switch is turned on. Inlet valve float crashed against ceramic wall Filter screen is clogged due to dirty water Improper refill hose installation 	<ol style="list-style-type: none"> Turn on inlet valve switch Adjust inlet valve position Clean the filter screen Install refill hose correctly (see diagram on the right) 	

MAINTENANCE & CARE

Use soft sponges or soft-cloths to clean the surface. Always rinse thoroughly any cleaning solutions immediately after cleaning. Do not any chemical remain on the surface for extended periods of time.

IMPORTANT!

DO NOT USE: Abrasive cleaners such as: acid, ammonia, bleach, and simmlar solutions. Use of such solutions may cause corrosion, finish peeling, and/or dull the surface.

DO NOT USE: Abrasive sponges or cloth. Never use steel, wool, or wired brushes that will permanently scratch the surface.

FILL/FLUSH VALVES MAINTENANCE & CARE

Do not pour any mounts of chlorine or any other chemicals into the tank. Use of chemical products will result in damage to the fill valve and flush valve components and may cause flood and property damage

Note: fill and flush valves are maintenance free. No maintenance is required.

Retain these installation instructions for future reference!

Thank you for using LessCare products!