

## TUB DOORS

### INSTALLATION INSTRUCTIONS

**TUB DOORS:**  
LBTDF3458



## PREPARATION FOR INSTALLATION



**READ ALL INSTRUCTIONS BEFORE UNPACKING THE PRODUCT**

**CAUTION!**



**TWO PERSON  
LIFT REQUIRED**

**2 PEOPLE ARE REQUIRED TO LIFT AND DURING  
ENTIRE INSTALLATION OF THIS PRODUCT**

LessCare reserves the right to change, update, modify, alter, redesign this manual/product or its policies without prior notice! It is your responsibility to visit website to download or contact customer service for the most updated version of the installation instructions.

LessCare shall not be liable for any injuries or property damages in connection with this product during installation or use of this product!

### IMPORTANT UNPACKING INSTRUCTIONS:

When you have open top carton box lid, do not take shower glass doors or panels out before you read this and have this items in place. Have a soft cloth blanket min ¼" thick and make sure cloth blanket is bigger then your glass doors or panels in your working area place. Set this soft cloth blanket on the floor of working area. Take out shower glass doors or panels out from the Carton box and set it on the soft cloth blanket. Do not lean it on the wall or floor without the soft cloth blanket.

**ATTENTION!** Never set glass on floor or tile or solid floor or wall surface without a soft cloth blanket if you set it without soft cloth blanket it will cause scratches to the tempered glass and this will cause it to shatter right away or when installed or when you start using it, improper handling causes scratches on the glass doors or panels. When installing glass doors or panels be sure your have inspected glass doors or panels fully before installing it. Do not install and Stop installation if you see or find scratches or chipped corners on your glass doors or panels. NEVER set glass doors or panels on its corners make sure the your floor is level with the soft cloth blanket when preparing glass doors or panels for installation.

After opening all boxes and packages, read this introduction carefully. Check that all of the needed parts are included in the package by checking all the components on the diagram of components. Examine boxes and packages for shipping damage. If the unit has been damaged or missing parts, please contact our customer support department immediately. Please note that LessCare will not replace any damaged products or missing parts after 2 business days of the order receipt.

**VERY IMPORTANT!** Double check all glass corners and four edges of all glass door and panels to make sure that all the glass are in perfect condition and without any scratches or chipped corners. Do not try to install the shower door, if there is any scratches or chipped corners. Note, that you should consult your local building codes with questions on installation compliance standards. Building and plumbing codes may vary from state to state and location. LessCare is not responsible for code compliance standards for your project and will not accept any returns. Prior to installation, ensure that the installation surface is leveled and solid, and will be able to support the total weight of the unit. Also, make sure the walls are at the right angles. Irregular installation surface level or improper angle of side walls will result in serious problems during installation. Note, that some adjustments and drilling will be necessary during the installation process.

**VERY IMPORTANT!** Installation of this extremely heavy product to the wall requires minimum of 2" x 4" wood stud framing behind the wall.



**INSTRUCTIONS THAT, IF IGNORED COULD RESULT IN SERIOUS INJURY OR DEATH  
CAUSED BY INCORRECT HANDLING OR INSTALLATION OF THE PRODUCT.  
THESE INSTRUCTIONS MUST BE OBSERVED FOR SAFE INSTALLATION!**

**LICENSED AND INSURED PROFESSIONAL CONTRACTOR IS REQUIRED TO INSTALL  
THIS PRODUCT INCLUDING ASSISTANCE OF A SECOND PERSON DURING INSTALLATION**

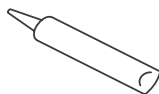
**No modifications to the product are allowed. Modifications of any types to the product will result in serious injuries or may cause death.**

**IMPORTANT:** Do not install the handle on to the glass door until the instruction tells you to do so. Never lift the glass using the handle. Failure to do so will result in serious personal injury and could cause damages to the glass. Professional graded glass suction cups are highly recommended while handling extremely heavy glass. This product must be installed on a finished threshold and against finished walls only. This product is intended for residential use only.

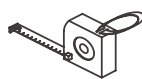
### TOOLS REQUIRED



Soft Cloth  
or Blanket



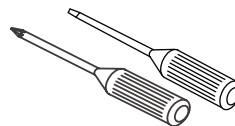
Silicone



Tape  
Measure



Pencil/Marker



Philips/Straight  
Screwdriver



Drill Bit  
ø = 5/16"



Drill Bit  
ø = 1/8"



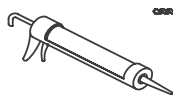
Safety Glass



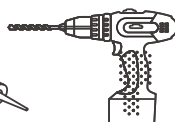
Knife



Level



Caulk Gun



Drill



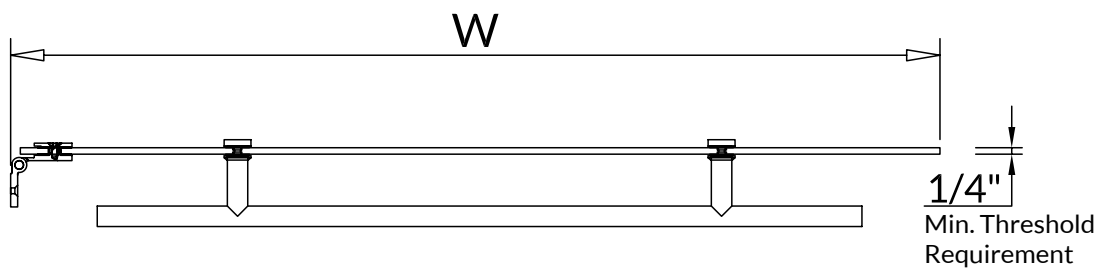
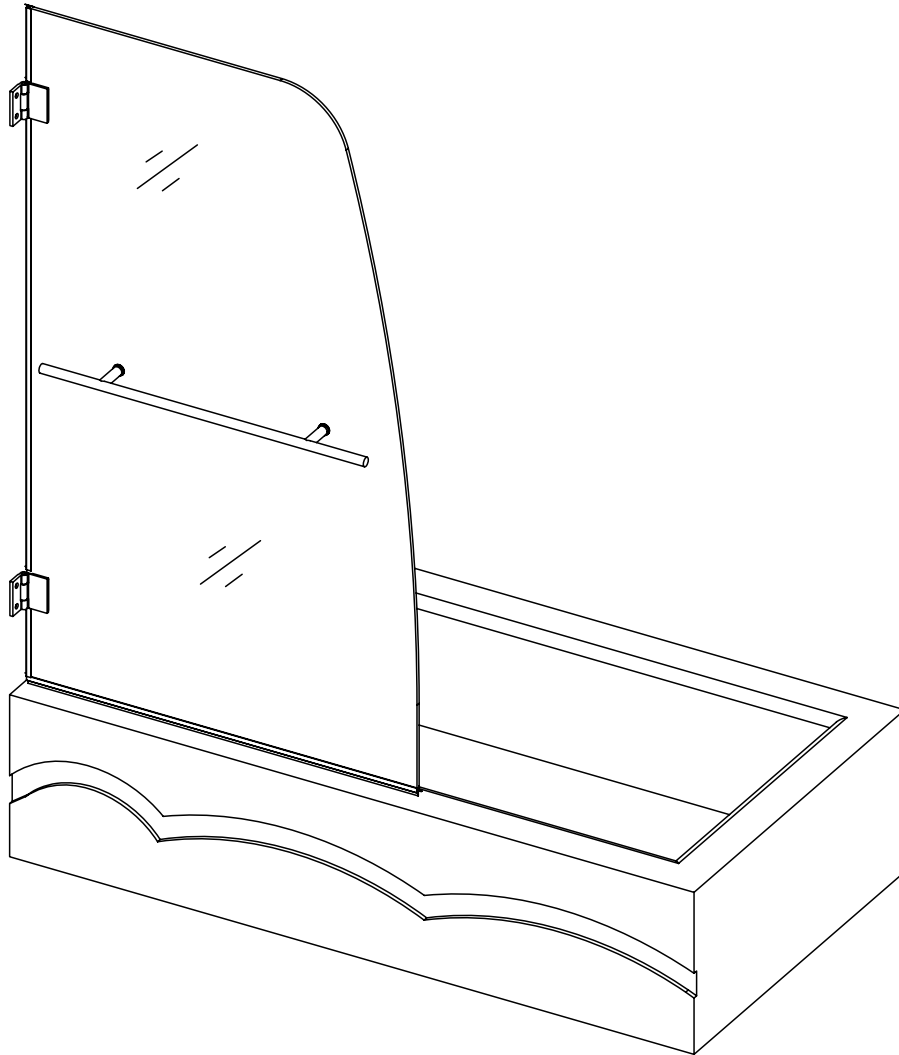
Hammer



Soft Wood  
Shim

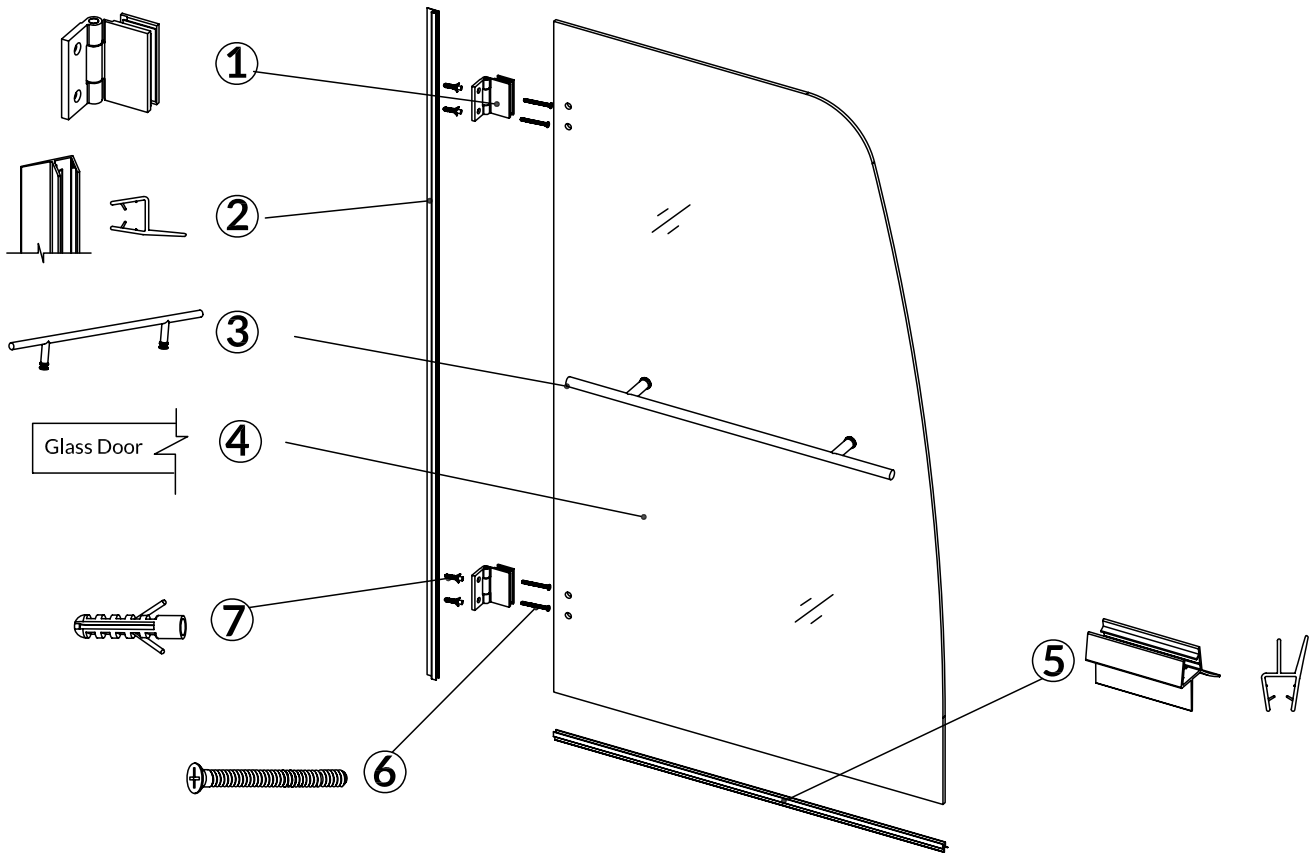
OTHER TOOLS MAY BE REQUIRED

[www.lesscare.com](http://www.lesscare.com)



Threshold Requirement (Size): 1/4"

**SAFETY IMPORTANT NOTE:** Installation of shower or bathtub door requires to be installed only on smooth and flat surface of both walls and threshold base (shower base or bathtub).



Item#	Description	Qty
1	Hinge	2 pcs
2	Side Anti-Water Strip	1 pc
3	Handle	1 pc

Item#	Description	Qty
4	Glass Door	1 pc
5	Bottom Anti-Water Strip	1 pc
6	Countersunk Screw M5x60	4 pcs
7	Wall Anchor	4 pcs

**This door has NO out-of-plumb adjustment**

1. Attach the Hinges (1) to the Glass door (4). Place a piece of flat timber (3/8" thick) on the bathtub.

See Figure 1 for details.

**ATTENTION:**

Never set your glass down directly onto a tile or concrete floor. Always use a piece of wood or cardboard and leave the corner pads on the glass until it becomes necessary to remove them to protect the bottom edge and the corners of the glass from breakage.

**IMPORTANT:** Do not let any metal parts come into contact with the glass directly, which will damage the glass notches and cause scratches or damage to the Glass Door. If ignored, could result in serious injury or death.

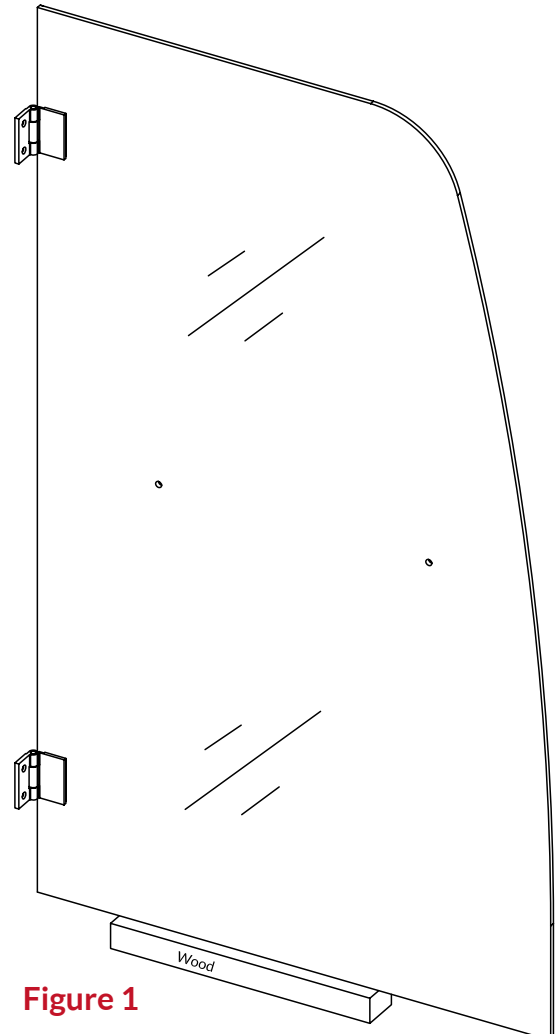
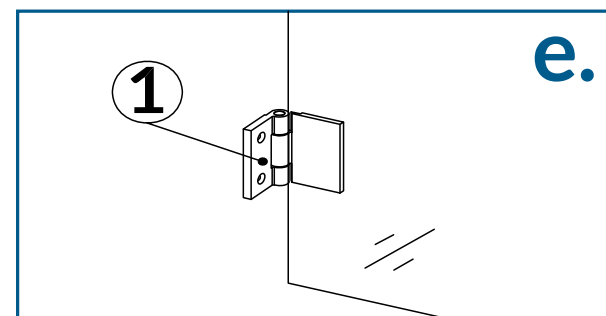
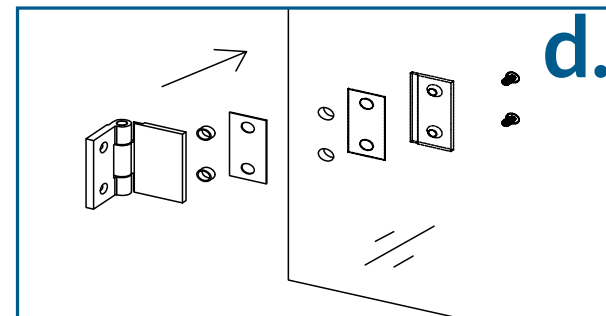
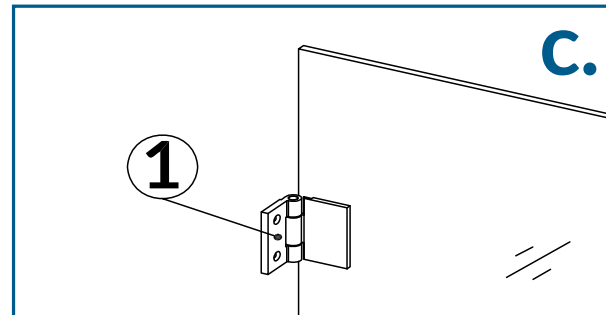
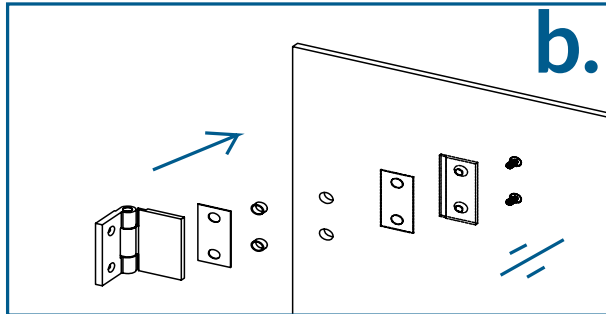
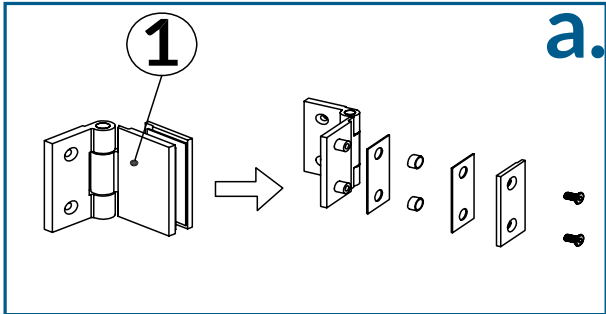
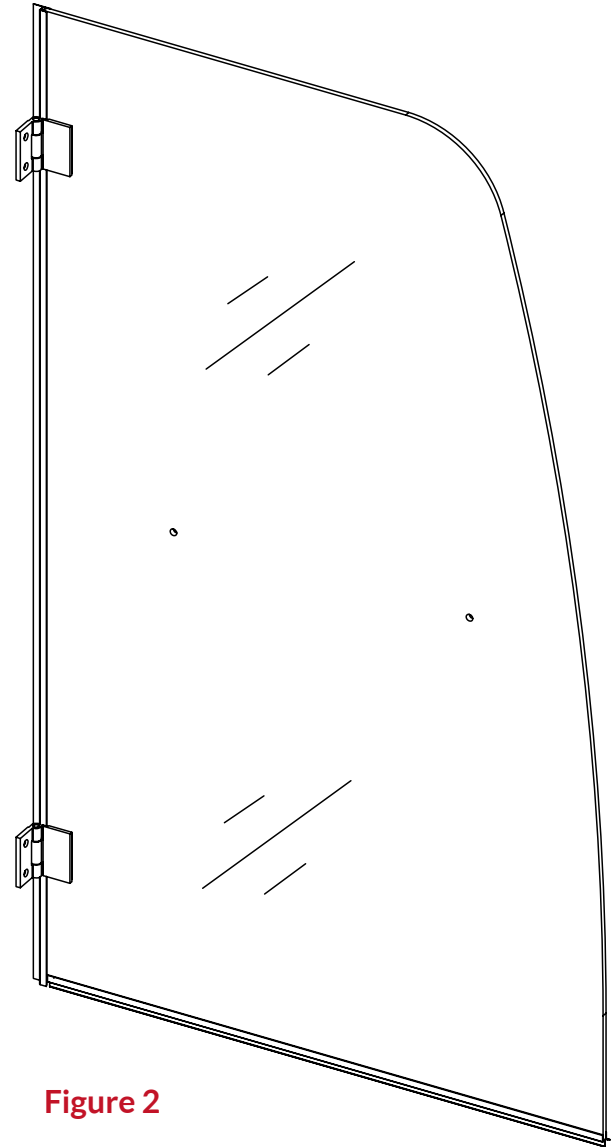
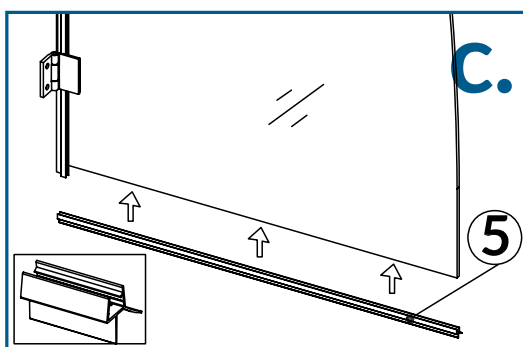
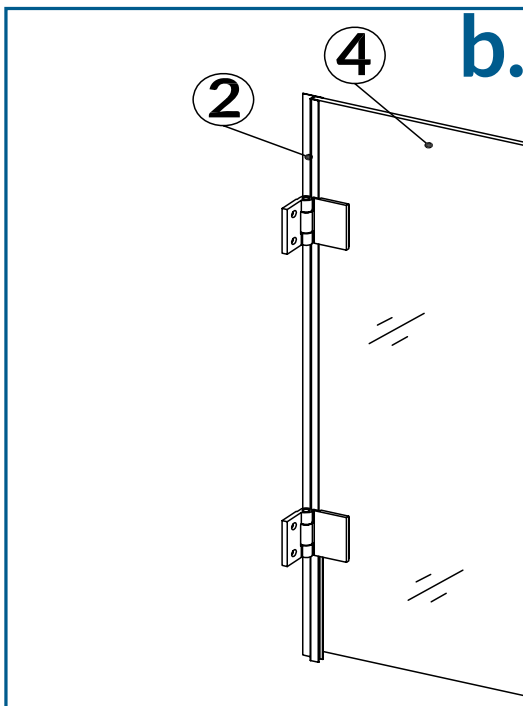
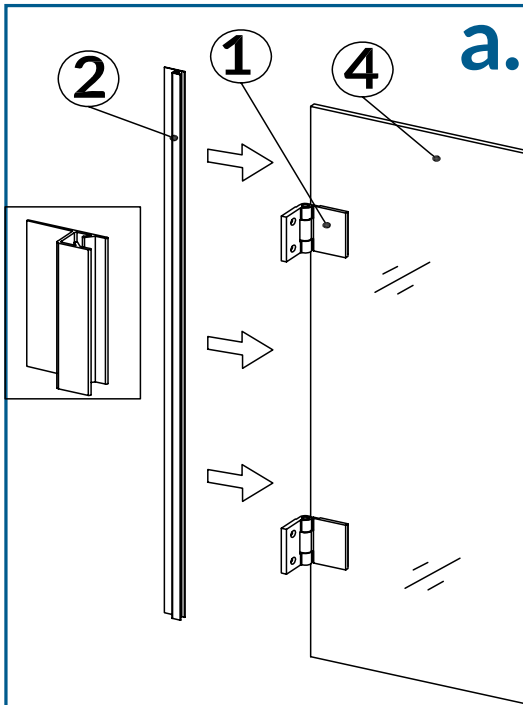


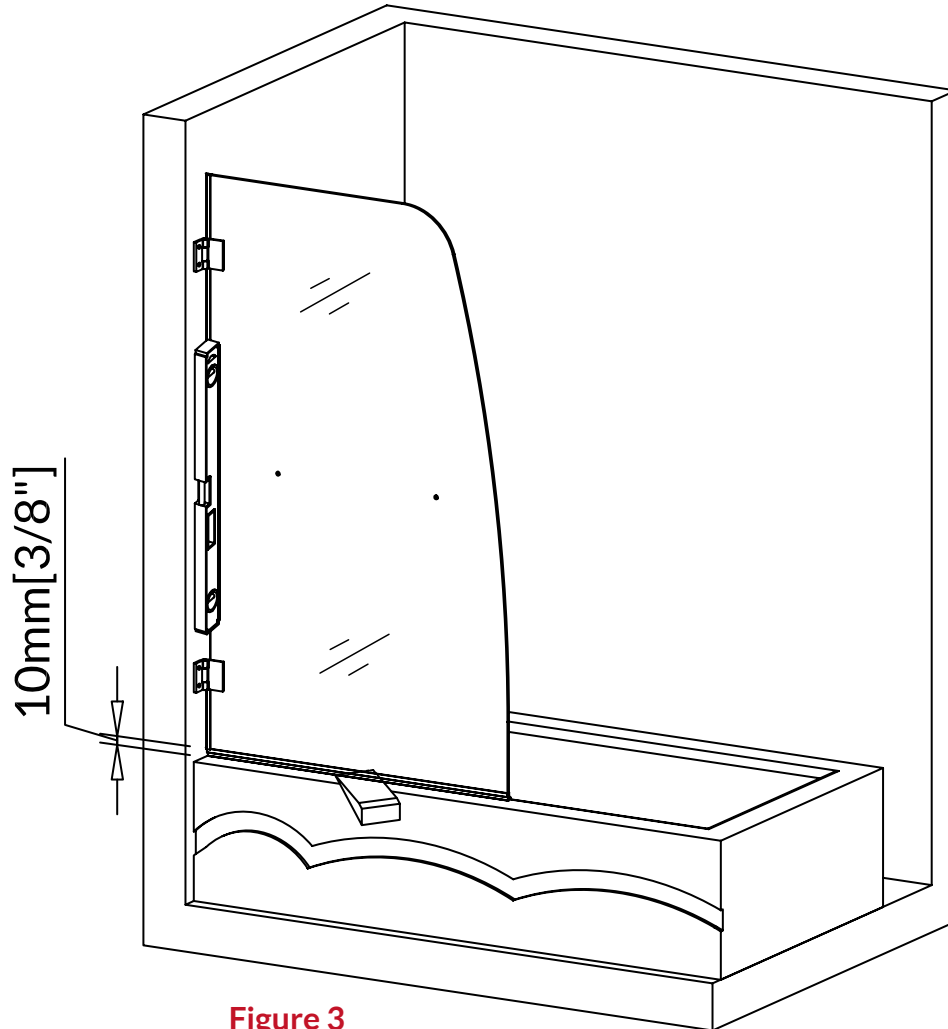
Figure 1



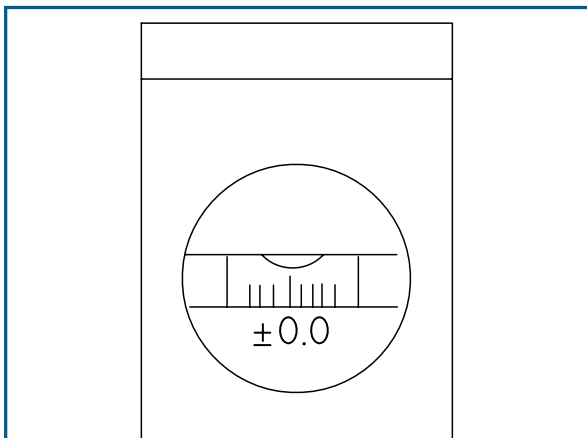
**Figure 2**

**2.** Remove the corner pads from the Glass door (4). Slide the side anti-water Strip (2) to the Glass Door. Slide the bottom anti water strip (5) to the bottom edge of the glass door.

See Figure 2 for details.



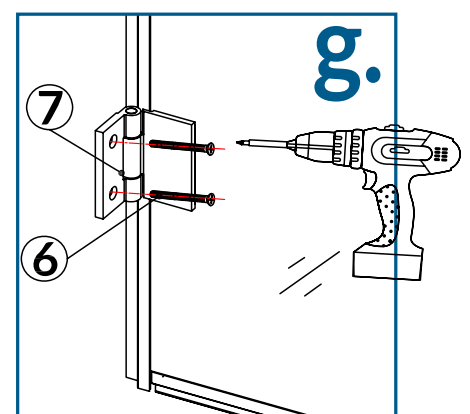
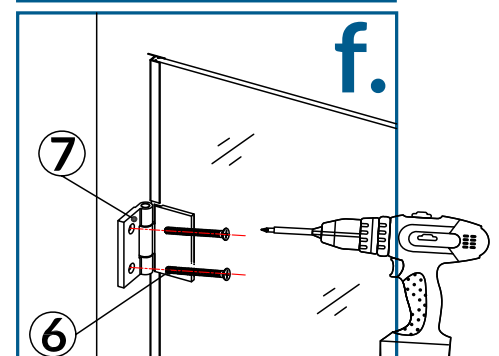
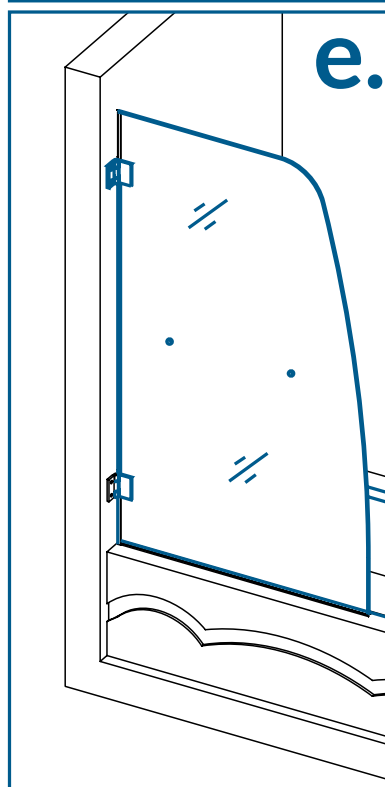
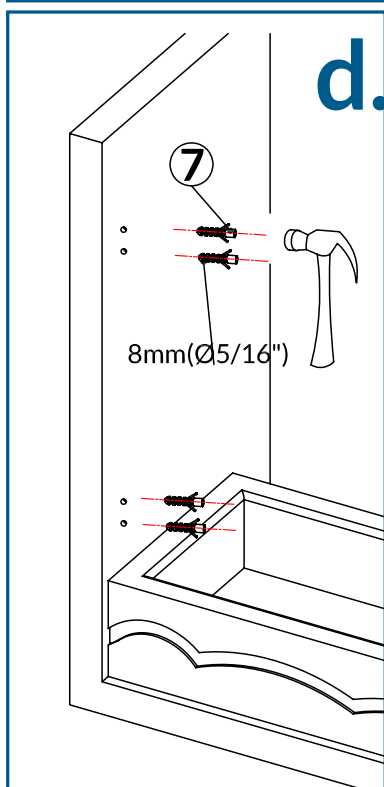
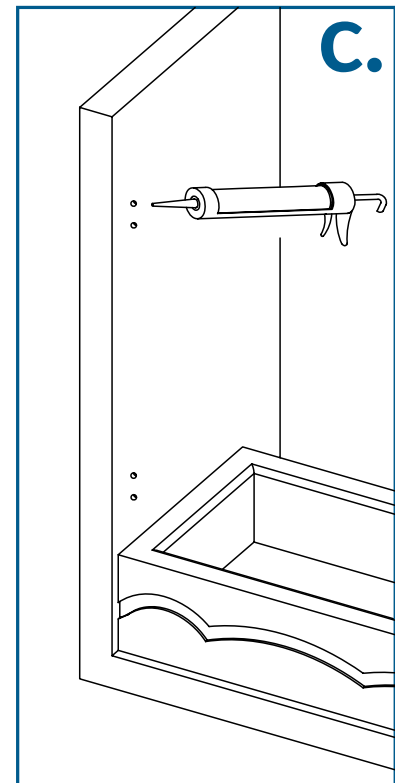
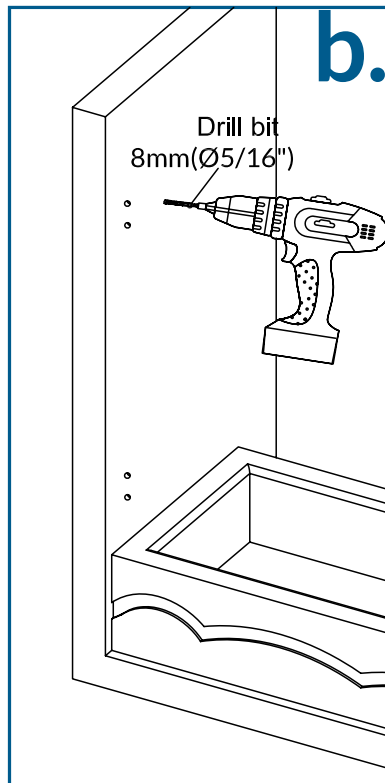
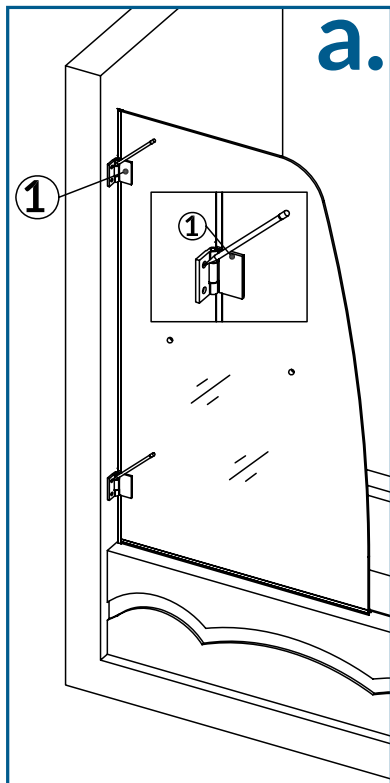
**Figure 3**



**3. Place the Glass door(4) on the flat timber. Carefully butt up the door with hinged side against the wall, adjust its position and level it vertically.**

**ATTENTION:**  
Please check with a level and be sure that the door is absolutely plumb.

See Figure 3 for details.

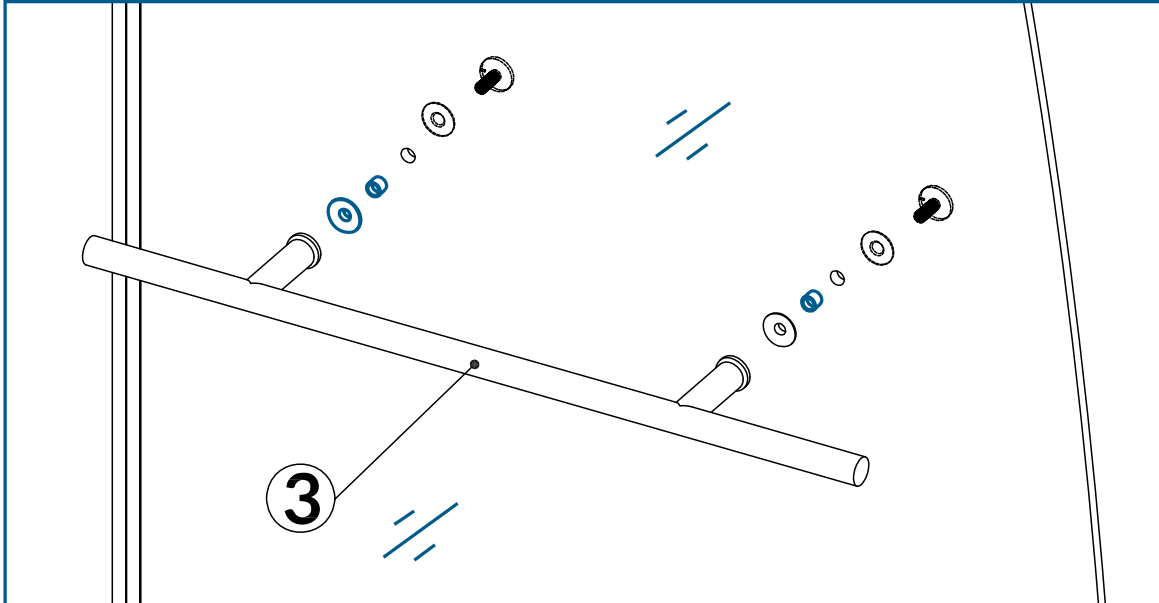


**Figure 4**

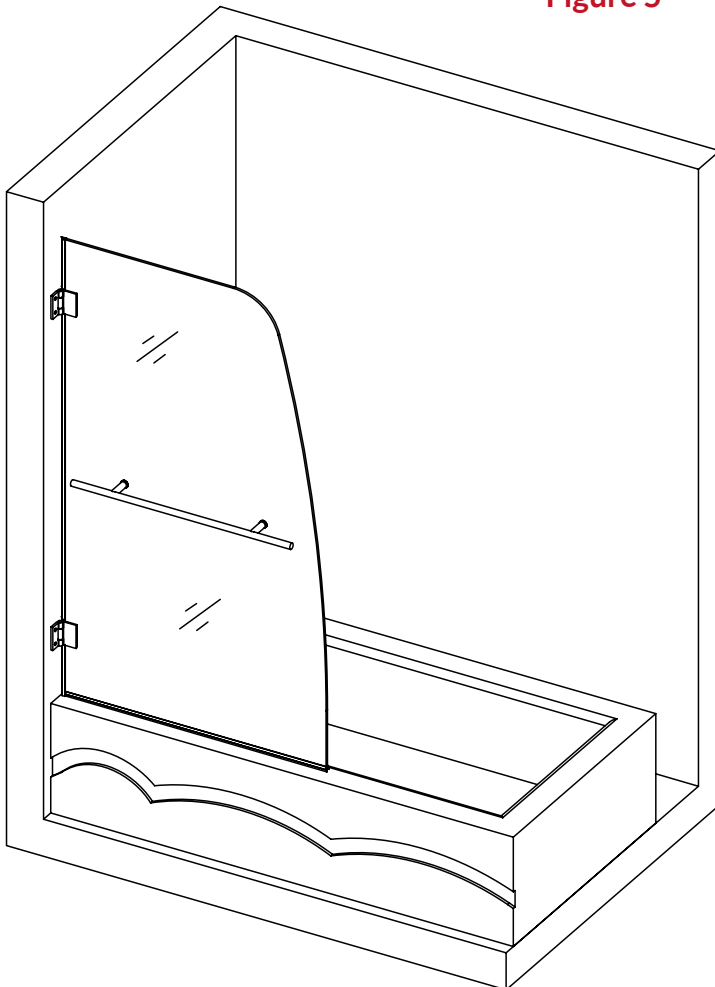
4. Hold the door in place and mark the drill holes for both Hinges (1) on the wall. Set the Door Assembly aside and drill the holes in the wall using  $\text{Ø}8\text{mm}(\text{Ø}5/16'')$  drill bit. Apply silicone into the holes on the wall and insert the wall anchor (7).  
Now put back the Door Assembly against the wall and fasten the hinges to the wall with Countersunk Screw M5X60(6).

See Figure 4 for details.





**Figure 5**



**5. Mount the Handle (3) to the Glass door (4).**

*See Figure 5 for details.*

**IMPORTANT:**

*Make sure that clear rubber gaskets are in between the Glass Door and knob, between washer and glass; between cap and glass door. Tighten knob and cap with hand only, do not use any types of tools to tighten it.*



TUB DOORS  
**ULTRA-F**

MAINTENANCE, USE, AND CARE

## Maintenance & Care

### IMPORTANT!

**DO NOT USE:** Abrasive cleaners such as: acid, ammonia, bleach, and similar solutions; or any types of baking soda cleaning solutions. Use of such solutions may cause corrosion, finish peeling, and/or dull the surface.

**DO NOT USE:** Abrasive sponges or cloth. Never use steel, wool, or wired brushes that will permanently scratch the surface.

After installation use the shower door for approximately 2-3 weeks or 20-25 times (whichever comes first). Be sure to re-inspect all screws, make sure they are tight and tighten them if necessary. Repeat this adjustments when necessary.

When opening and closing the glass door. Be sure not to slam it. Always, open or close the glass door gently. Never slam the shower door against glass shower enclosure panel or wall. Slamming the glass door will cause immediate shattering and will cause personal injury or death.

Never leave kids unattended. Be sure to explain safety rules and train kids how to use the shower door to prevent any injuries or death. It is very important to inform all family members living with you about this safety operation instructions.

Long lasting life is guaranteed while maintaining proper care of your shower door and/or enclosure. To prevent a build-up of soap, after each use, rinse the glass and wipe it with a glass squeegee and soft cloth material. Glass parts may be cleaned with designated cleaning solutions only. All hardware parts must be cleaned with designated cleaning solutions only. Hardware parts must be cleaned at least once a week. When applying stainless steel cleaner or polish, work with grain, not against grain.



**INSTALLATION OF LESSCARE PRODUCTS BY AN  
INEXPERIENCED INSTALLER MAY RESULT  
PERSONAL INJURY OR DEATH!**



LessCare is not responsible for local code compliance. Building and plumbing codes may vary from state-to-state in accordance to your location. LessCare is not responsible for providing any compliance certifications.

LessCare products must be installed by a fully insured and licensed professional only. Installation of any LessCare product by anyone other than fully insured and licensed professionals shall **void limited warranty**. LessCare recommends that such licensed professionals have experience in the installation of products. This limited warranty voids on any commercial installation.

**Retain these installation instructions for future reference!**



**Thank you for using LessCare products!**